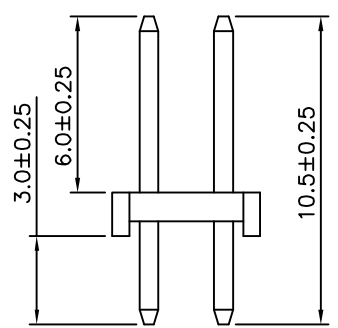
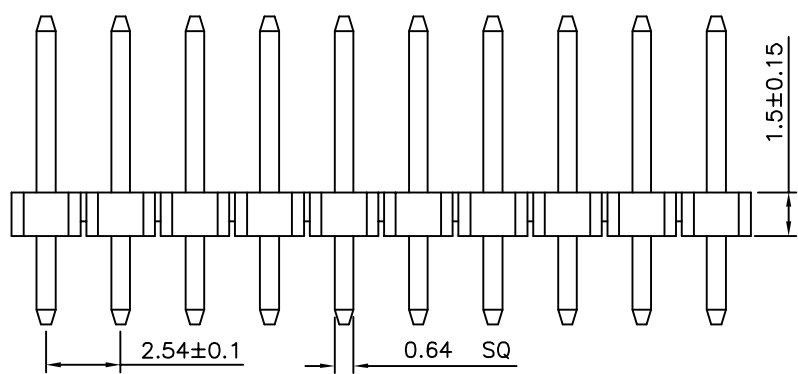
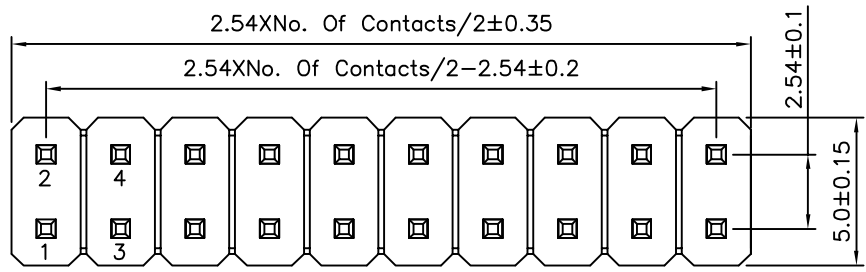


Recommended P.C.B. Layout (Top View)
(PCB Board Tolerance ±0.05)

SPECIFICATION
 Current Rating: 3 Amps
 Withstand Voltage: 500V AC
 Contact Resistance: 20 Milliohms Max.
 Insulation Resistance: 1000 Megaohms Min.
 Operation Temperature: -40°C ~ +105°C
 Contact: Brass, Gold Flash Over Nickel
 Insulator: PA6T (UL94V-0), Black
 RoHS Compliant



4UCON 元化興業股份有限公司
 4UCON TECHNOLOGY INC.

DRAWING No.		APPROVED BY		UNLESS OTHERWISE SPECIFIED TOLERANCES ARE					
00013		MEI		X. ±0.25 X.* ±2°					
		CHECKED BY		.X ±0.20 .X* ±1.5°					
		DRAWING BY		.XX ±0.15 .XX* ±1°					
		CYP		.XXX ±0.10 .XXX* ±0.5°					
SCALE	NONE	REV.	A0	UNIT	mm	NO. REV.	A0	NEW RELEASE	09/17/2015
						REVISIONS	CHK	DATE	