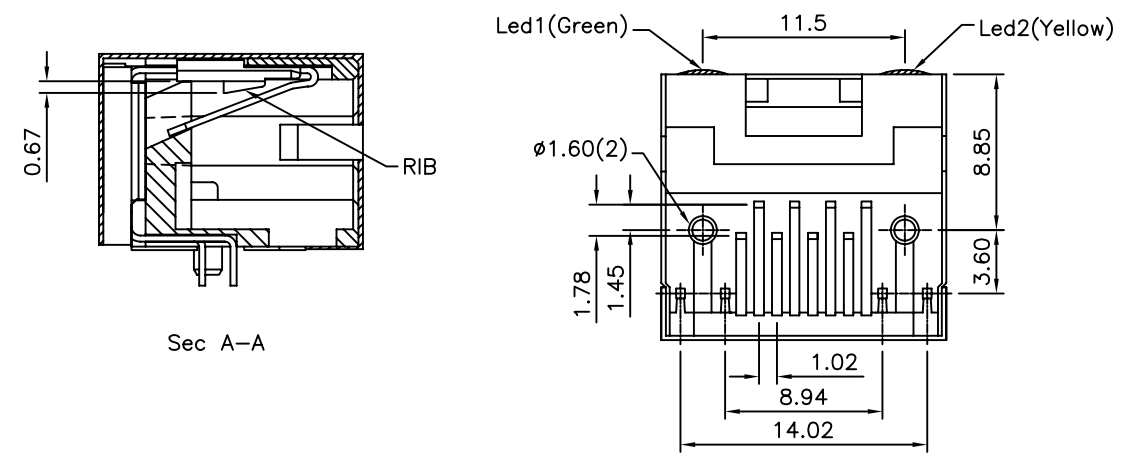
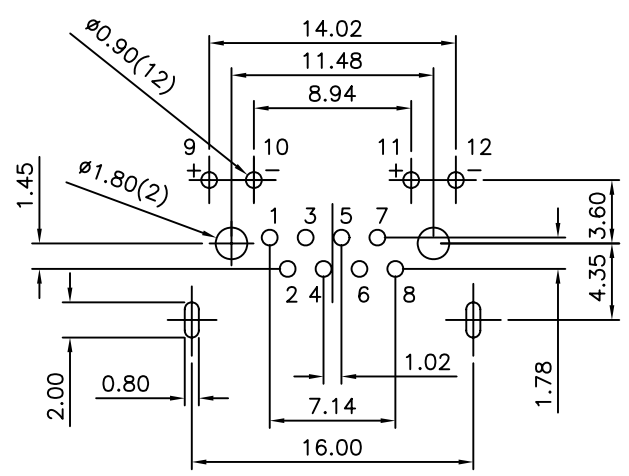
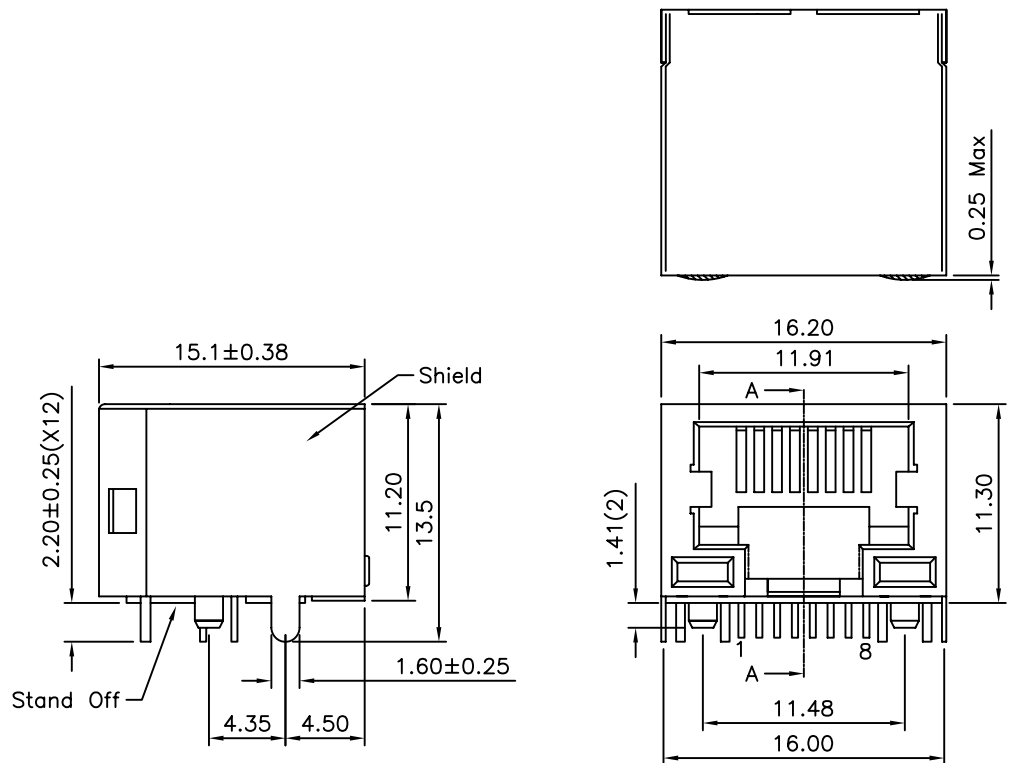


SPECIFICATIONS
 Housing:DSM Stanyl TE250F6 (Nylon-46)
 Heat Deflection Temp.290°C
 Black Color,UL94V-0
 Contacts:0.35mm Thick Phos-Bronze
 Gold Plated 50u" On Contact Area
 Tin Plated In Solder Area.
 Shield:0.25mm Thick Copper Alloy,
 Plated With Nickel



4UCON 元化興業股份有限公司
 4UCON TECHNOLOGY INC.

DRAWING No.		APPROVED BY		UNLESS OTHERWISE SPECIFIED TOLERANCES ARE .X ±0.38 .XX ±0.25 ANG ±0°30'
00114		MEI		
		CHECKED BY		
		HZF		
		DRAWING BY		
		PEGA		
SCALE	NONE	REV.	A0	UNIT mm

NO.	REV.	REVISIONS	CHK	DATE
△ A0		NEW RELEASE	HZF	01/06/2007