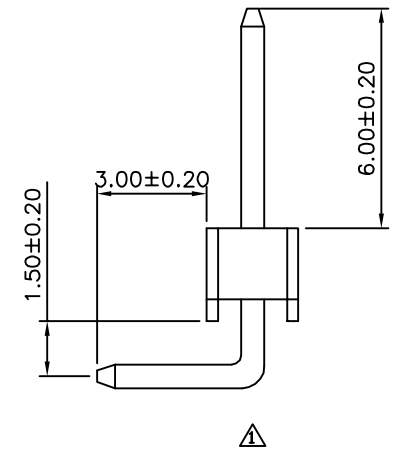
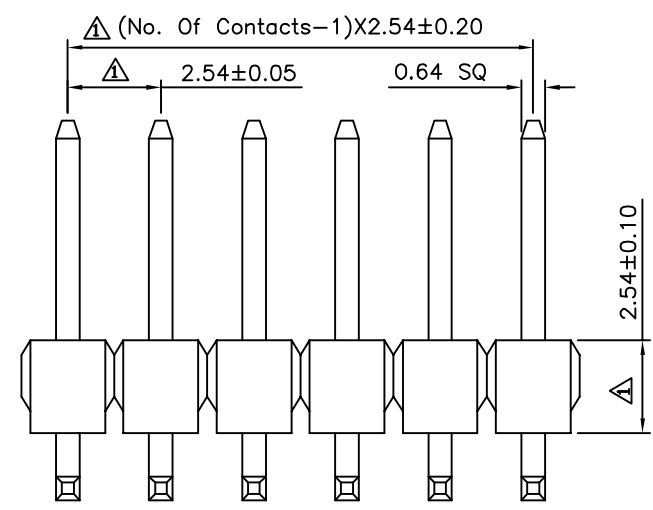
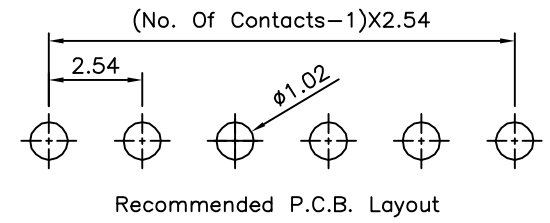
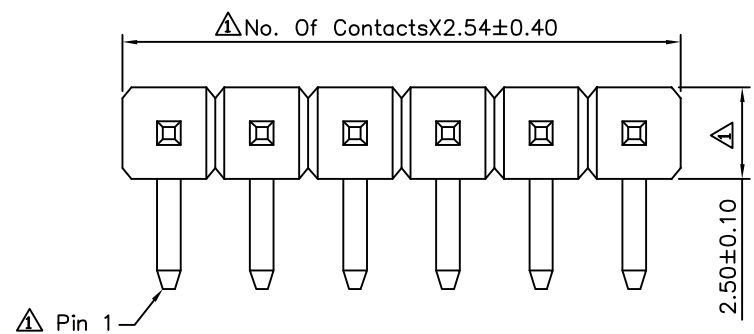


**△ SPECIFICATION**  
 Current:3A  
 Operation Temperature:-55°C~+105°C  
 Contact Resistance:20 Milliohms Max.  
 Insulation Resistance:1000 Megaohms Min.  
 Withstanding Voltage:1000V AC RMS  
 Housing:PBT(UL94V-0),Black  
 Contact:Copper Alloy,Gold Flash  
 RoHS Compliant



**4UCON** 元化興業股份有限公司  
 4UCON TECHNOLOGY INC.

DRAWING No.		APPROVED BY		UNLESS OTHERWISE SPECIFIED TOLERANCES ARE .X ±0.38 .XX ±0.25 ANG. ±5°						
00874		MEI								
		CHECKED BY								
		HZF								
		DRAWING BY								
		QQJ				△ A1	Modify Data	HZF	06/22/2010	
		REV.				△ A0	NEW RELEASE	SHIN	03/06/2006	
SCALE	NONE	REV.	A1	UNIT	mm	NO. REV.	REVISIONS	CHK	DATE	