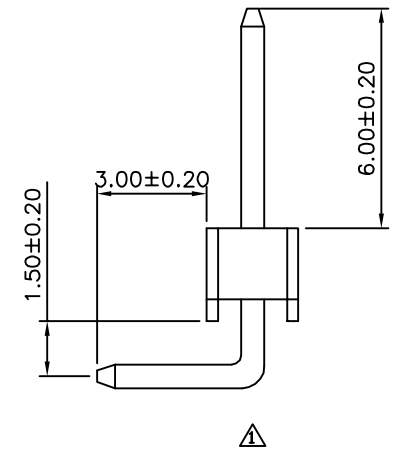
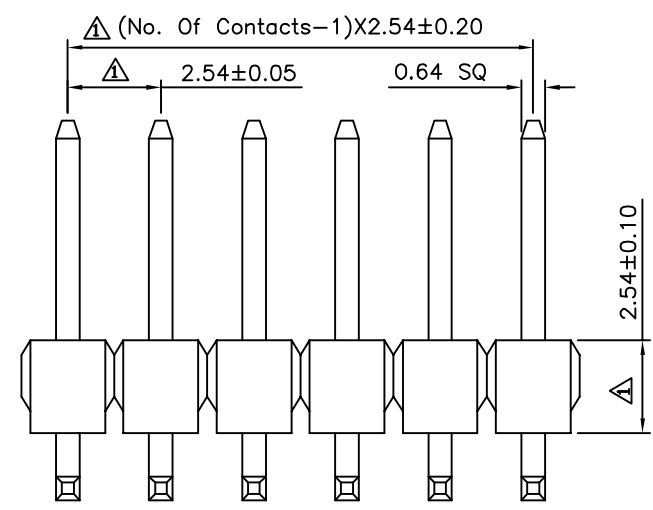
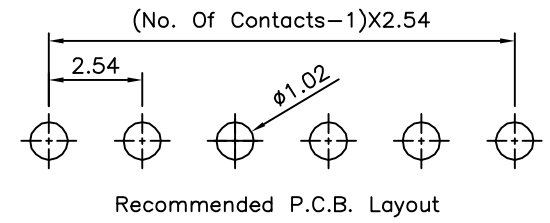
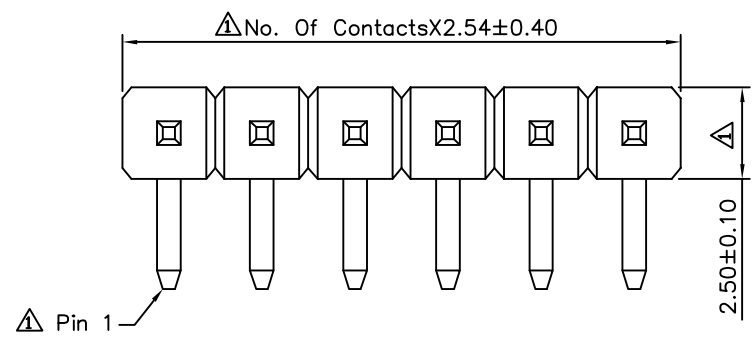


**△ SPECIFICATION**  
 Current:3A  
 Operation Temperature:-55°C~+105°C  
 Contact Resistance:20 Milliohms Max.  
 Insulation Resistance:1000 Megaohms Min.  
 Withstanding Voltage:1000V AC RMS  
 Housing:PBT(UL94V-0),Black  
 Contact:Copper Alloy,Gold Flash  
 RoHS Compliant



**4UCON** 元化興業股份有限公司  
 4UCON TECHNOLOGY INC.

|             |      |                |    |  |
|-------------|------|----------------|----|--|
| DRAWING No. |      | APPROVED BY    |    | UNLESS OTHERWISE SPECIFIED TOLERANCES ARE<br>.X ±0.38<br>.XX ±0.25<br>ANG. ±5° |
| 00881       |      | MEI            |    |  |
|             |      | CHECKED BY HZF |    |  |
|             |      | DRAWING BY QQJ |    |  |
| SCALE       | NONE | REV.           | A1 | UNIT mm  |

|      |      |             |      |            |
|------|------|-------------|------|------------|
| NO.  | REV. | REVISIONS   | CHK  | DATE       |
| △ A1 |      | Modify Data | HZF  | 06/22/2010 |
| △ A0 |      | NEW RELEASE | SHIN | 03/06/2006 |