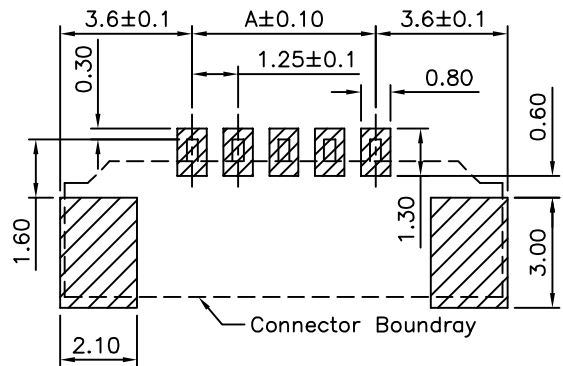
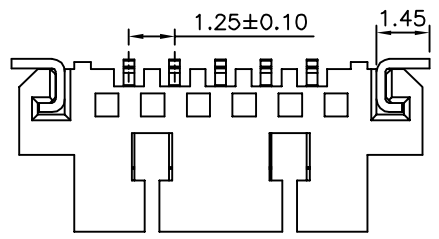
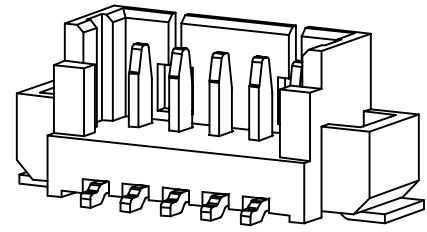
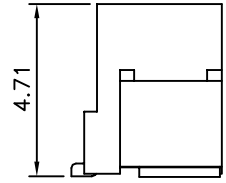
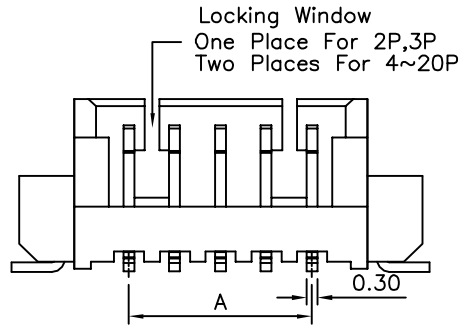
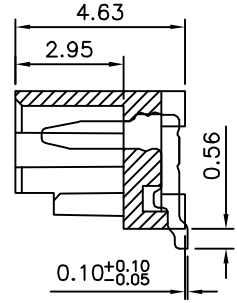
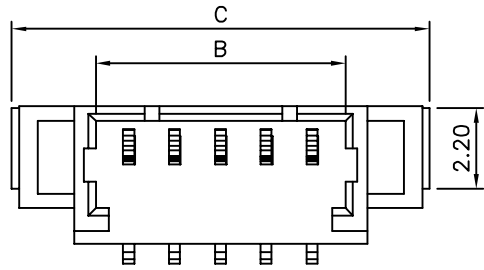


SPECIFICATION

Current Rating:1 Amp Max.
 Operation Voltage:150V AC Max.
 Withstand Voltage:500V AC RMS
 Contact Resistance:20 Milliohms Max.
 Insulation Resistance:500 Megaohms Min.
 Operation Temperature:-40°C~+85°C
 Insulator:PA9T(UL94V-0),Nature
 Contact:Brass,Matte Tin Plated Over Nickel
 Locating:Brass,Matte Tin Plated Over Nickel
 RoHS Compliant



Recommended P.C.B. Layout



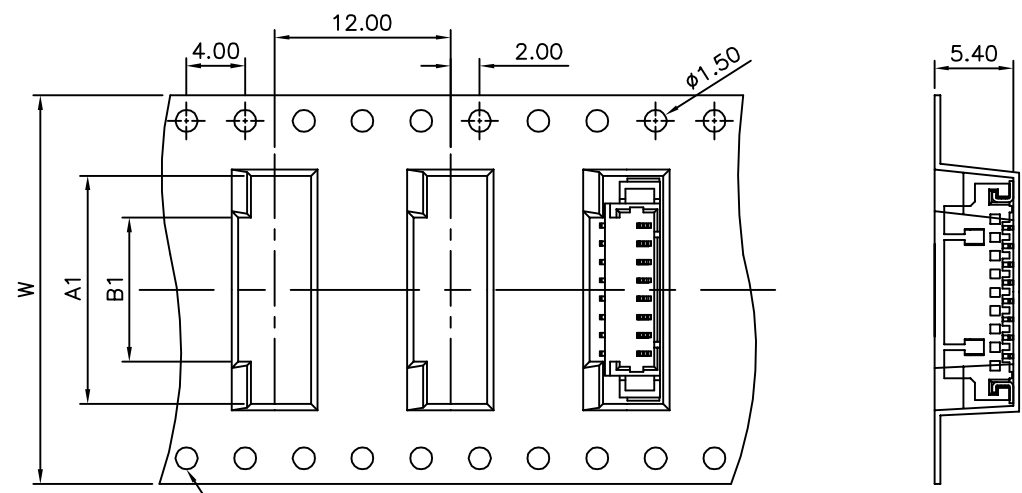
Pin	A	B	C
2	1.25	3.05	7.65
3	2.50	4.30	8.90
4	3.75	5.55	10.15
5	5.00	6.80	11.40
6	6.25	8.05	12.65
7	7.50	9.30	13.90
8	8.75	10.55	15.15
9	10.00	11.80	16.40
10	11.25	13.05	17.65
11	12.50	14.30	18.90
12	13.75	15.55	20.15
13	15.00	16.80	21.40
14	16.25	18.05	22.65
15	17.50	19.30	23.90
16	18.75	20.55	25.15
17	20.00	21.80	26.40
18	21.25	23.05	27.65
19	22.50	24.30	28.90
20	23.75	25.55	30.15

4UCON 元化興業股份有限公司
 4UCON TECHNOLOGY INC.

DRAWING No.		APPROVED BY		UNLESS OTHERWISE SPECIFIED TOLERANCES ARE .X ±0.30 .XX ±0.20 ANG.
01228		MEI		
		CHECKED BY HZF		
DRAWING BY GAO		DRAWING BY GAO		UNIT mm
SCALE	NONE	REV.	AO	

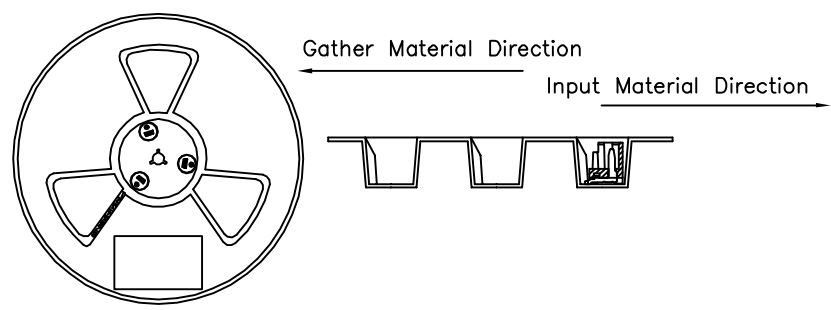
△ AO	NEW RELEASE	HZF	05/07/2012
NO.REV.	REVISIONS	CHK	DATE

SPECIFICATION
 Q'ty:1000 PCS/Reel
 RoHS Compliant



When W>32.00mm(Include W=32.00mm),
 The Bottom Hole Of Tape Will Be Shown

Pin	A1	B1	W
2	8.45	3.55	16.0
3	9.70	4.80	
4	10.95	6.05	
5	12.20	7.30	24.0
6	13.45	8.55	
7	14.70	9.80	
8	15.95	9.80	
9	17.20	11.05	
10	18.45	12.30	32.0
11	19.70	13.55	
12	20.95	14.80	
13	22.20	16.05	
14	23.45	17.30	
15	24.70	18.55	44.0
16	25.95	19.80	
17	27.20	21.05	
18	28.45	22.30	
19	29.70	23.55	
20	30.95	24.80	



4UCON 元化興業股份有限公司
 4UCON TECHNOLOGY INC.

DRAWING No.		APPROVED BY		UNLESS OTHERWISE SPECIFIED TOLERANCES ARE .X ±0.3 .XX ±0.2 .XXX ±0.1
01228		MEI		
		CHECKED BY HZF		
		DRAWING BY GAO		
SCALE	NONE	REV.	A0	UNIT mm

△ A0	NEW RELEASE	HZF	05/07/2012
NO. REV.	REVISIONS	CHK	DATE