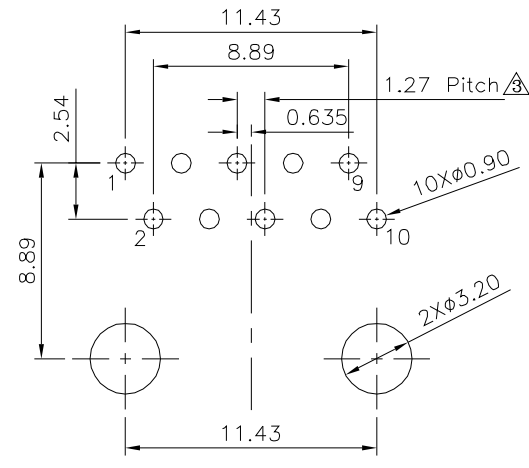
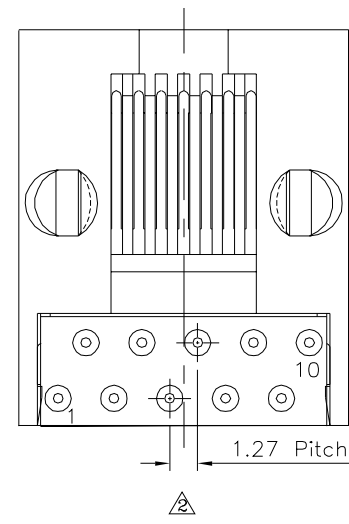
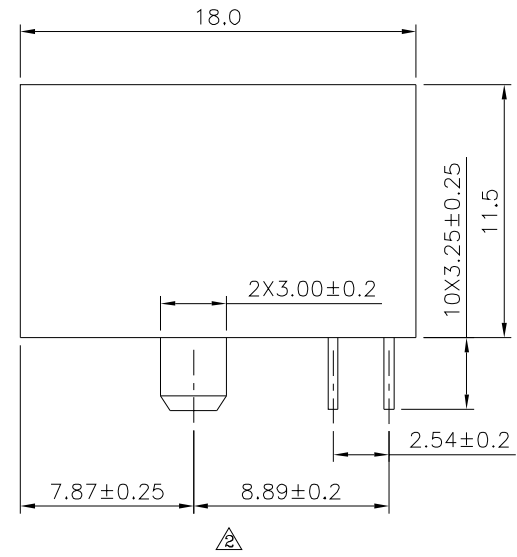
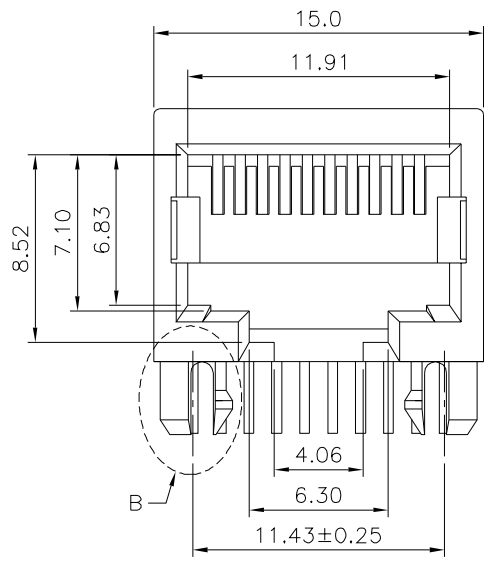
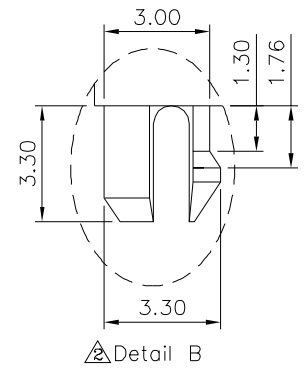


**△△ SPECIFICATION**  
 Current Rating:1.5A Max.  
 Voltage Rating:150V AC Max.  
 Operating Temperature: -40°C~+85°C  
 Relative Humidity: 70% ±10%RH  
 Insulation Resistance:500 Megaohms Min. Initial  
 At 500V DC  
 Contact Resistance:20 Milliohms Max. Initial  
 30 Milliohms Max. Final  
 Durability:750 Cycles  
 Dielectric Withstanding Voltage:  
 1000V RMS. At 60Hz,1 Minute Between  
 Adjacent Contacts  
 1500V RMS. At 60Hz,1 Minute Between  
 Shield And Contacts  
 Housing:PBT+G.F.(UL94V-0),Black  
 △ Contact:Phosphor Bronze  
 Gold Plated 6u" Over All,Over Nickel  
 Cavity Conforms To FCC Rules And Regulations  
 Part 68,Subpart F.  
 RoHS Compliant



△ Recommended P.C.B. Layout(Top View)  
 PCB Thickness:1.6mm Tolerance±0.05



△ Detail B

**4UCON** 元化興業股份有限公司  
 4UCON TECHNOLOGY INC.

|             |      |             |     |  |
|-------------|------|-------------|-----|--|
| DRAWING No. |      | APPROVED BY |     | UNLESS OTHERWISE SPECIFIED TOLERANCES ARE<br>△△ .X ±0.25<br>△△△ .XX ±0.13<br>△△△△ .XXX ±0.05 |
| 01331       |      | MEI         |     |  |
|             |      | CHECKED BY  | HZF |  |
| SCALE       | NONE | DRAWING BY  | CYP |  |
|             |      | REV.        | A3  | UNIT<br>mm   |

|          |             |     |            |
|----------|-------------|-----|------------|
| △ A3     | Modify Data | HZF | 06/28/2018 |
| △ A2     | Modify Data | HZF | 01/14/2013 |
| △ A1     | Modify Data | HZF | 01/11/2010 |
| △ A0     | NEW RELEASE |     |            |
| NO. REV. | REVISIONS   | CHK | DATE       |