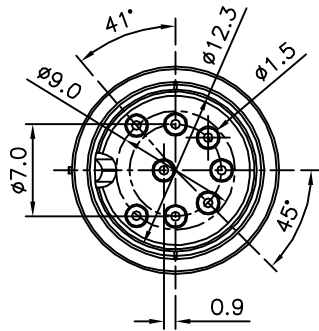
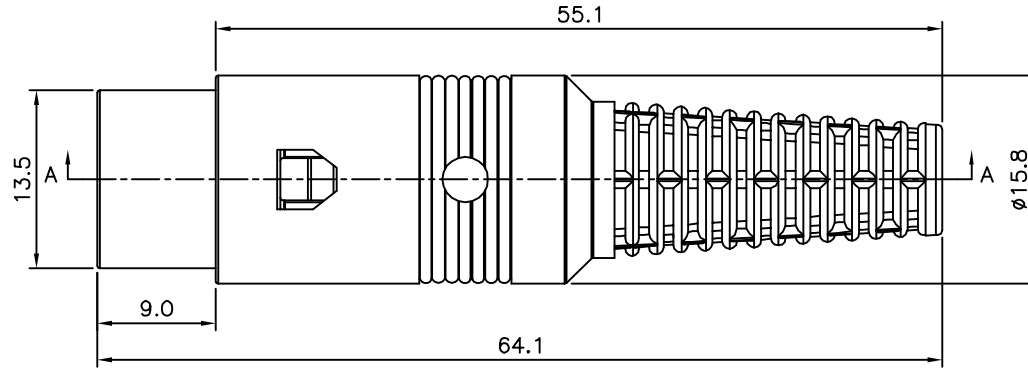


**△ SPECIFICATION**

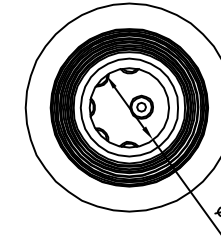
Rating:100V AC 1A Max.  
 Withstand Voltage:250V AC RMS For 1 Minute  
 Contact Resistance:Pins-30 Milliohms Max.  
 Shell-50 Milliohms Max.  
 Insulation Resistance:100 Megaohms Min. @500V DC  
 RoHS Compliant



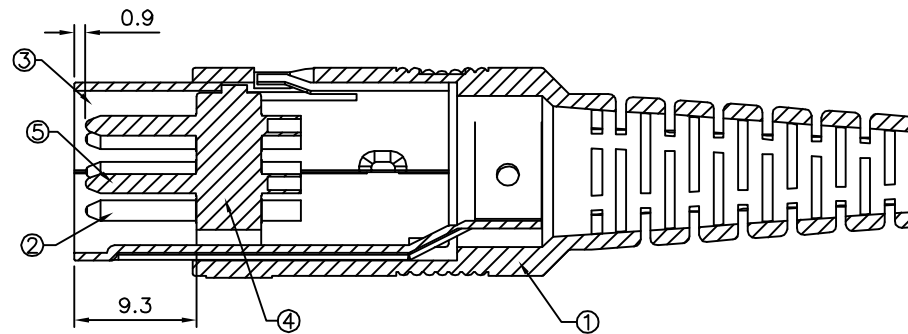
△



△



△



△ Section A-A

5	Contact Terminals	Brass	Nickel Plated	8
4	Housing	ABS		1
3	Shield Cover B	Steel	Nickel Plated	1
2	Shield Cover A	Steel	Nickel Plated	1
1	Shell Cover 6.0	EVA+LLDPE		1
No.	Description	Material	Finish	Q'ty

△

**4UCON** 元化興業股份有限公司  
 4UCON TECHNOLOGY INC.

DRAWING No.		APPROVED BY		UNLESS OTHERWISE SPECIFIED TOLERANCES ARE △ .X ±0.25 .XX ±0.10 ANG.
01395		EMILY		
		CHECKED BY HZF		
		DRAWING BY SONG		
SCALE	NONE	REV.	A1	UNIT mm

△ A1	Modify Data	HZF	02/17/2012
△ A0	NEW RELEASE		
NO. REV.	REVISIONS	CHK	DATE