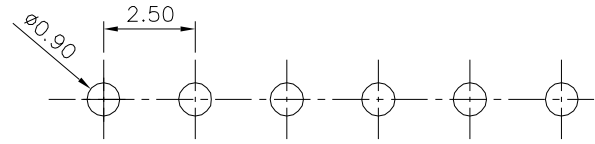
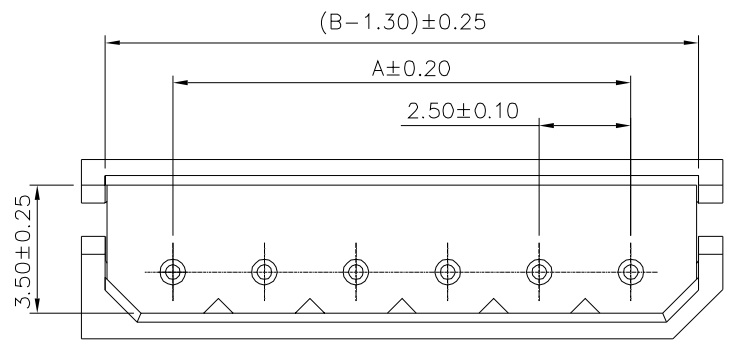


△ SPECIFICATION
 Current Rating: 3A AC/DC
 Voltage Rating: 250V AC/DC
 Temperature Range: -25°C~+85°C
 Contact Resistance: 20 Milliohms Max.
 Insulation Resistance: 1000 Megaohms Min.
△ Withstanding Voltage: 800V AC/Minute
 Insulator: PA66(UL94V-0), Nature
 Pin: Brass, $\phi 0.70 \times 8.90$
 Tin Plated Over Nickel
 RoHS Compliant



Recommended P.C.B Layout(Top Side)
 △ P.C.B Thickness=1.20~1.60mm(Tolerance=±0.05)

Pin	A	B
02	2.50	7.50
03	5.00	10.00
04	7.50	12.50
05	10.00	15.00
06	12.50	17.50
07	15.00	20.00
08	17.50	22.50
09	20.00	25.00
10	22.50	27.50
11	25.00	30.00
12	27.50	32.50
13	30.00	35.00
14	32.50	37.50
15	35.00	40.00
16	37.50	42.50

4UCON 元化興業股份有限公司
 4UCON TECHNOLOGY INC.

DRAWING No. △△
01686

APPROVED BY MEI
 CHECKED BY HZF
 DRAWING BY WZL
 SCALE NONE
 REV. A2

UNLESS OTHERWISE SPECIFIED TOLERANCES ARE
 .X ±0.25 .X* ±2°
 .XX ±0.20 .XX* ±1°
 .XXX ±0.10 △
 UNIT mm

NO.	REV.	REVISIONS	CHK	DATE
△2	A2	Modify Data	HZF	03/24/2016
△1	A1	Modify Data	HZF	05/29/2010
△0	A0	NEW RELEASE	SHIN	01/10/2007