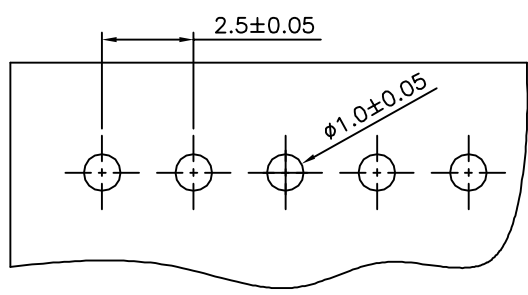
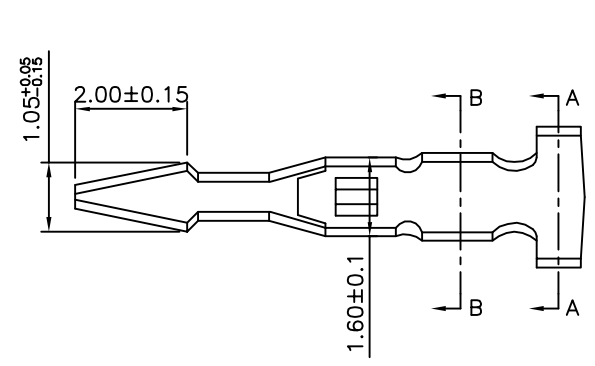
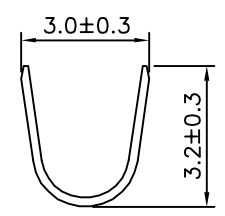
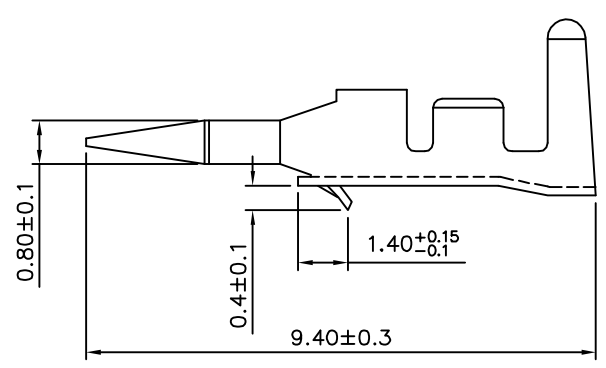


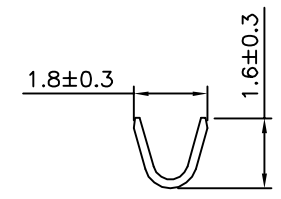
△△ SPECIFICATION
 Current Rating: 3A AC/DC
 Voltage Rating: 250V AC/DC
 Applicable Wire Range: AWG #22~28
 Thickness: 0.2mm
 Material: Brass, Tin Plated Over Nickel
 Use With 1.6mm Or 1.2mm Thickness P.C. Board
 Q'ty: 10000 PCS/Reel
 RoHS Compliant



△ Recommended P.C.B. Layout



Section A-A



Section B-B

4UCON 元化興業股份有限公司
 4UCON TECHNOLOGY INC.

DRAWING No.		APPROVED BY		UNLESS OTHERWISE SPECIFIED TOLERANCES ARE 1~10 ±0.2 10~20 ±0.3 20~40 ±0.4 40~ ±0.5
01726		EMILY		
		CHECKED BY		
		HZF		
		DRAWING BY		UNIT mm
		SONG		
SCALE	NONE	REV.	A2	

NO.	REV.	REVISIONS	CHK	DATE
△A2		Modify Data	HZF	09/10/2014
△A1		Modify Data	HZF	04/20/2010
△A0		NEW RELEASE	BECKY	09/28/2005