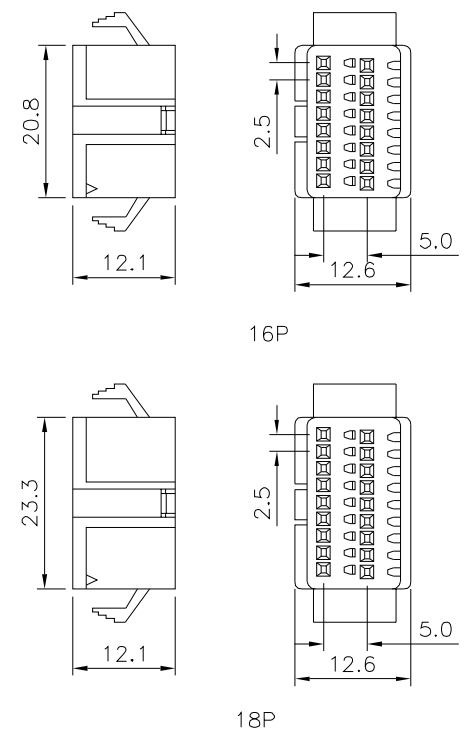
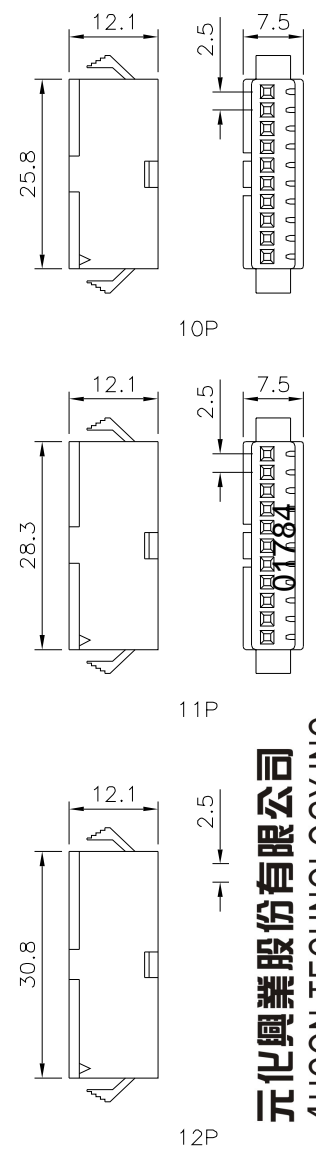
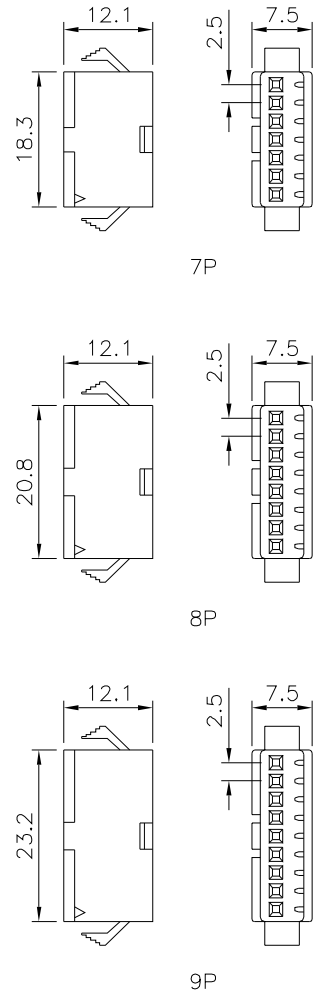
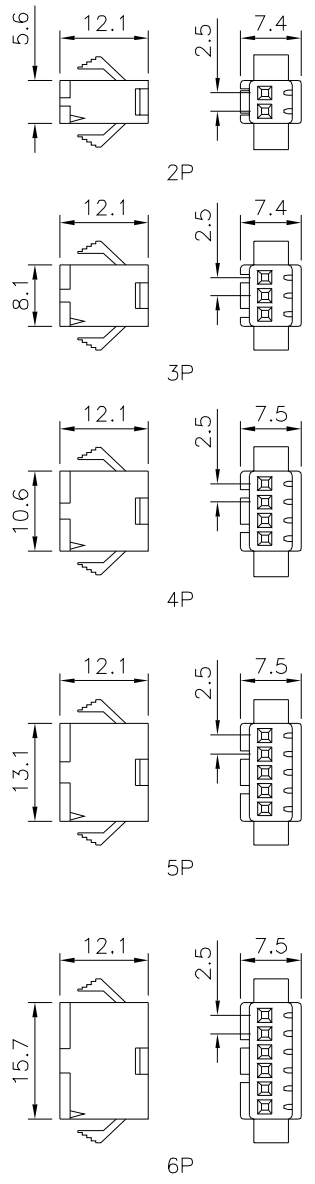


SPECIFICATION
 Current Rating:3A AC/DC
 Voltage Raing:250V AC/DC
 Withstand Voltage:1000V AC/Minute
 Insulation Resistance:500 Megaohms Min.
 Temperature Range:-25°C~+85°C
 Material:PA66(UL94V-0),Black
 RoHS Compliant



元化興業股份有限公司
4UCON TECHNOLOGY INC.

4UCON

DRAWING No.		APPROVED BY		UNI SPE TOL
		MEI		
		HZF		
		DRAWING BY		UN mm
		CYP		
SCALE	NONE	REV.	BO	

NO.	REV.	REVISIONS	CHK	DATE
	BO	Modify Data	HZF	03/08/2016
	BO	NEW RELEASE	HZF	03/08/2016