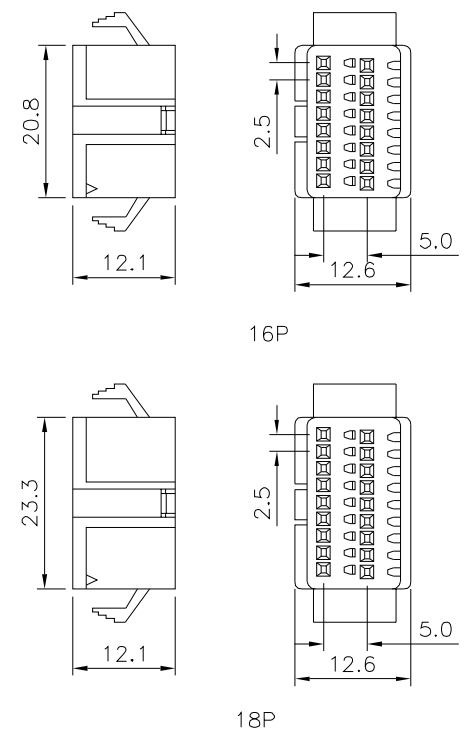
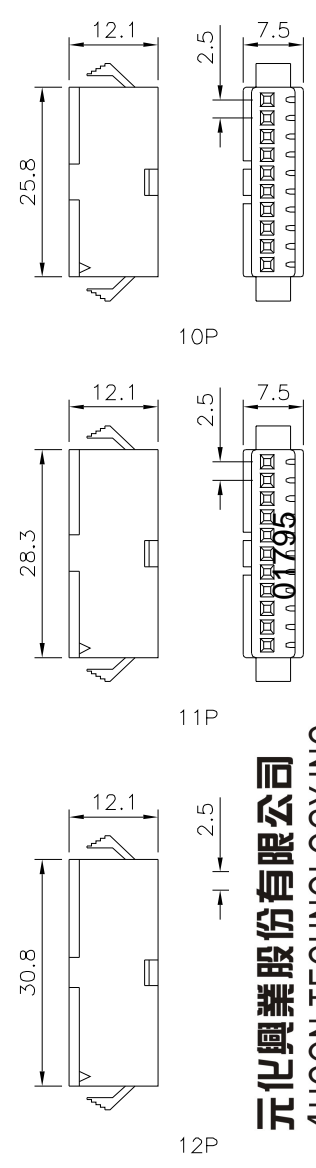
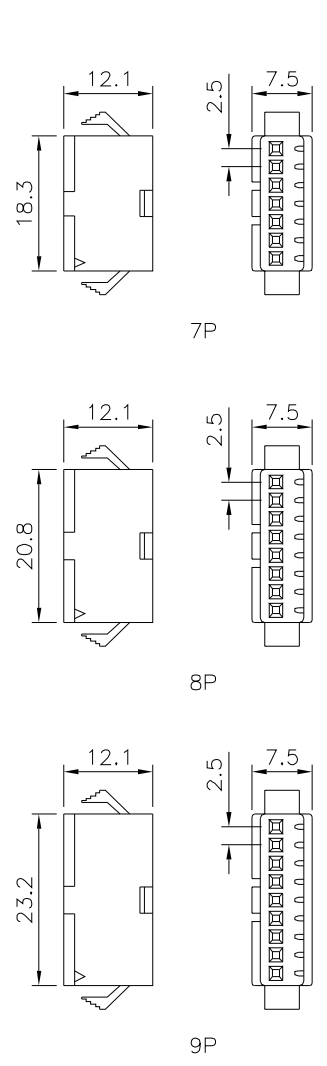
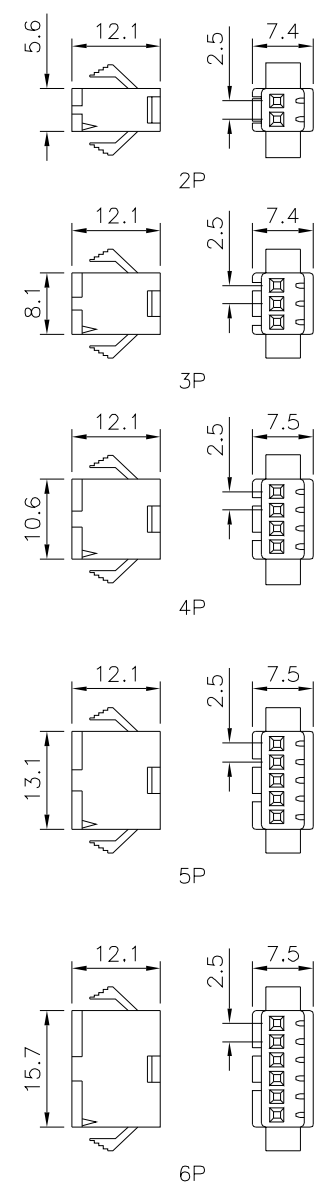


**SPECIFICATION**  
 Current Rating:3A AC/DC  
 Voltage Raing:250V AC/DC  
 Withstand Voltage:1000V AC/Minute  
 Insulation Resistance:500 Megaohms Min.  
 Temperature Range:-25°C~+85°C  
 Material:PA66(UL94V-0),Black  
 RoHS Compliant



**元化興業股份有限公司**  
**4UCON TECHNOLOGY INC.**

**4UCON**

DRAWING No.		APPROVED BY		UNI SPE TOL
		MEI		
		HZF		
		DRAWING BY		UN mm
		CYP		
SCALE	NONE	REV.	BO	

NO.	REV.	REVISIONS	CHK	DATE
	BO	Modify Data	HZF	03/08/2016
	BO	NEW RELEASE	HZF	03/08/2016