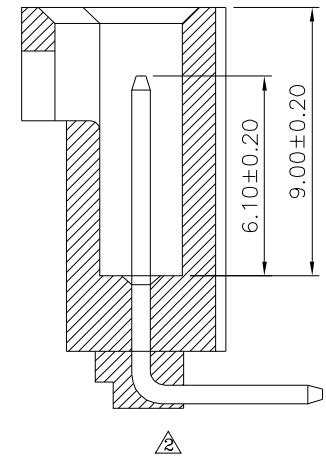
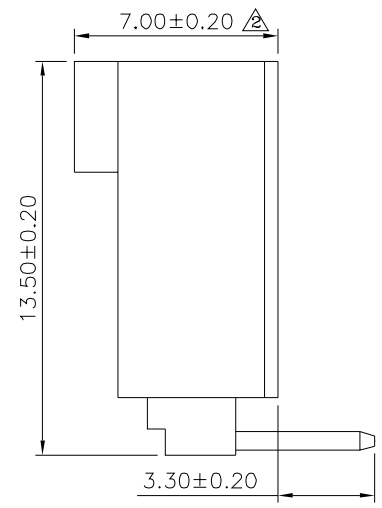
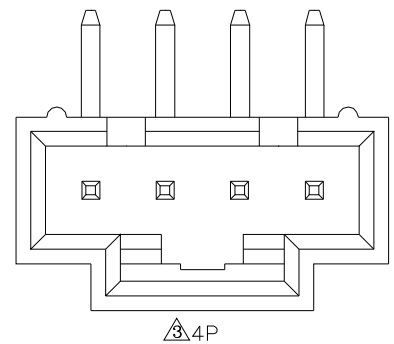
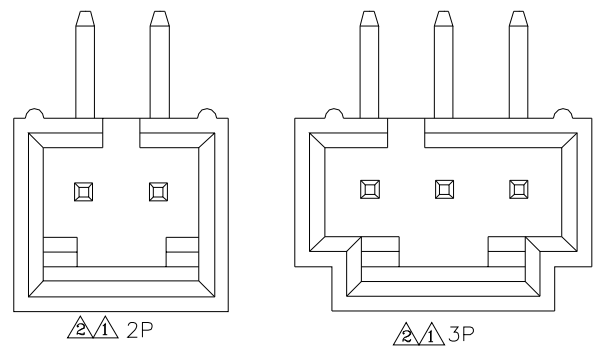
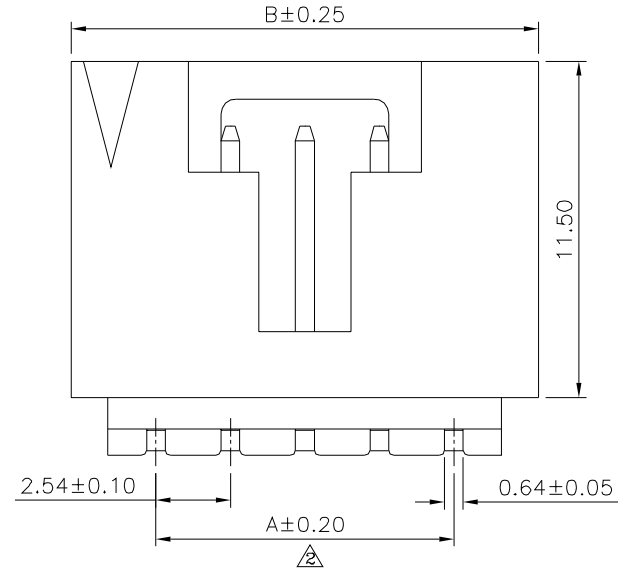
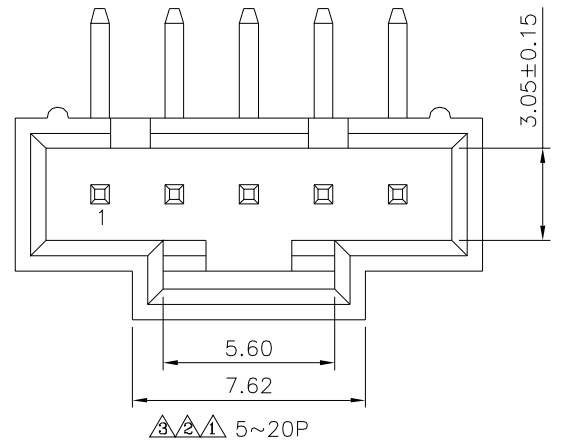
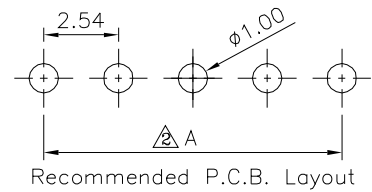


△ SPECIFICATION

Current Rating:5A AC/DC
 Voltage Rating:250V AC/DC
 Contact Resistance:20 Milliohms Max.
 Withstanding Voltage:1500V AC/Minute
 Insulation Resistance:1000 Megaohms Min.
 Temperature Range:-25°C~+85°C
 Insulator:PA66+15%G.F.(UL94V-0),Black
 Pin:Brass,Gold Flash Over All,Over Nickel
 RoHS Compliant



Pin	A	B
02	2.54	7.62
03	5.08	10.16
04	7.62	12.70
05	10.16	15.24
06	12.70	17.78
07	15.24	20.32
08	17.78	22.86
09	20.32	25.40
10	22.86	27.94
11	25.40	30.48
12	27.94	33.02
13	30.48	35.56
14	33.02	38.10
15	35.56	40.64
16	38.10	43.18
17	40.64	45.72
18	43.18	48.26
19	45.72	50.80
20	48.26	53.34

4UCON 元化興業股份有限公司
 4UCON TECHNOLOGY INC.

DRAWING No. **02031**

APPROVED BY MEI
 CHECKED BY HZF
 DRAWING BY CYP

UNLESS OTHERWISE SPECIFIED TOLERANCES ARE
 X ±0.30
 △X ±0.25
 XX ±0.20
 .XXX ±0.05
 ANG. ±1°

NO.	REV.	REVISIONS	CHK	DATE
△3	A3	Modify Data	HZF	07/07/2016
△2	A2	Modify Data	HZF	06/22/2016
△1	A1	Modify Data	HZF	10/22/2013
△0	A0	NEW RELEASE	HZF	10/03/2012

SCALE NONE REV. A3 UNIT mm

