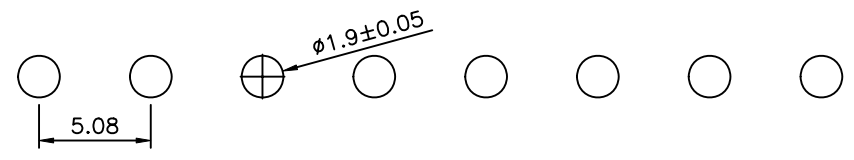
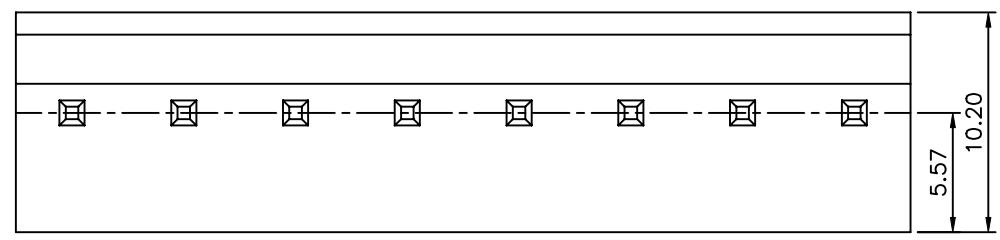


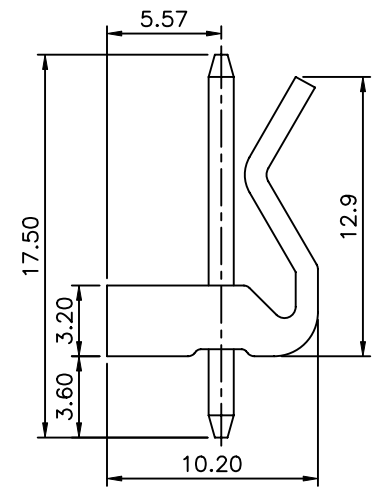
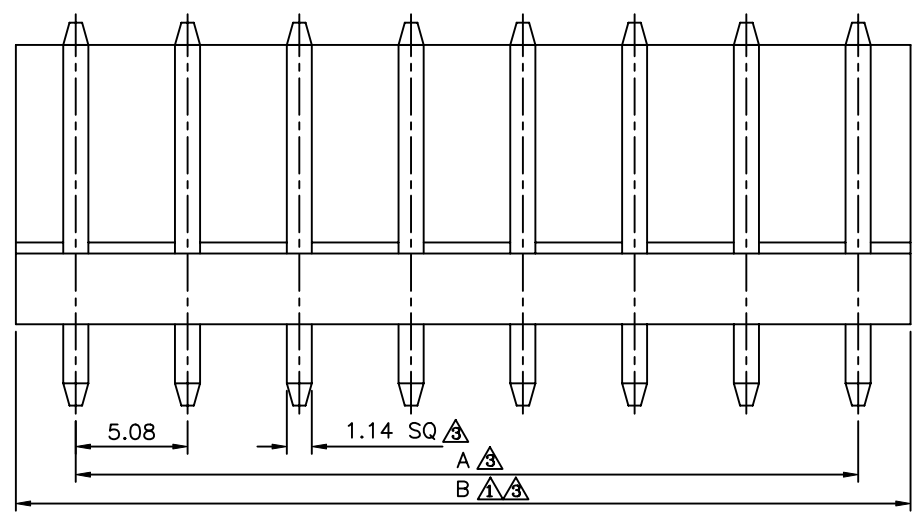
△△ SPECIFICATION
 Voltage Rating: 250V AC
 Current Rating: 7A
 Dielectric Withstanding Voltage: 1500V AC/Minute
 Contact Resistance: 20 Milliohms Max.
 Insulation Resistance: 1000 Megaohms Min.
 Temperature Range: -25°C ~ +85°C
 Insulator: PA66(UL94V-2), Natural
 Contact: Brass, Tin Plated
 RoHS Compliant



△ Recommended P.C.B. Layout



△



△

Pin	A	B
2	5.08	10.22
3	10.16	15.30
4	15.24	20.38
5	20.32	25.46
6	25.40	30.54
7	30.48	35.62
8	35.56	40.70
9	40.64	45.78
10	45.72	50.86
12	55.88	60.96

4UCON 元化興業股份有限公司
 4UCON TECHNOLOGY INC.

DRAWING No.		APPROVED BY		UNLESS OTHERWISE SPECIFIED TOLERANCES ARE .X ±0.5 .XX ±0.3 ANG.
02404		MEI		
		CHECKED BY		
		HZF		
		DRAWING BY		UNIT mm
		WZL		
SCALE	NONE	REV.	A3	NO. REV.

NO.	REV.	REVISIONS	CHK	DATE
△ A3		Modify Data	HZF	04/27/2010
△ A2		Add Specification	MEI	03/03/2003
△ A1		5.08xNo Of Contacts+0.06 — 5.08xNo Of Contacts+0.6	MEI	03/03/2003
△ A0		NEW RELEASE		