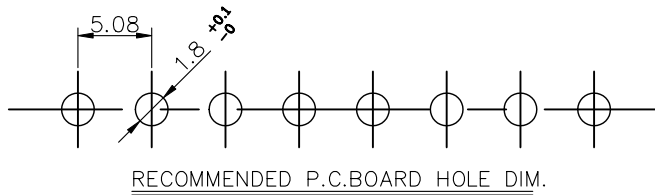
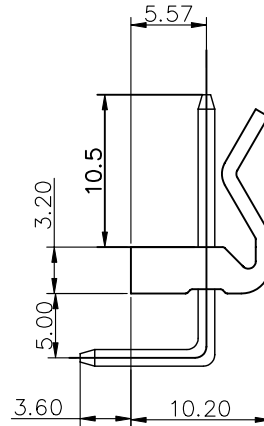
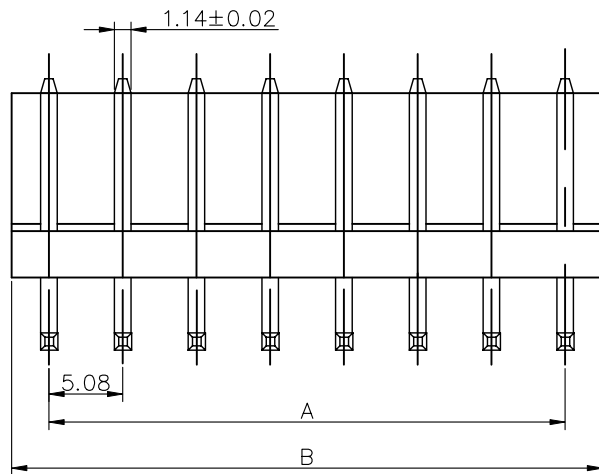


SPECIFICATION

Voltage Rating: 250V(AC)
 Current Rating: 5A
 Contact Resistance: 20 Milliohms Max.
 Dielectric Withstanding Voltage: 1000V AC/1min.
 Insulation Resistance: 1000 Megaohms Min.
 Circuits: 2~20
 Insulator: Nylon 66 UL 94V-2
 Color: Natural
 Contact: Brass 1.14mm Square Wire Pins
 Plating: Tin or Gold Plated
 Temperature Range: -25°C to +85°C
 RoHS Compliant



Poles	Dimension	
	A	B
2	5.08	10.22
3	10.16	15.30
4	15.24	20.38
5	20.32	25.46
6	25.40	30.54
7	30.48	35.62
8	35.56	40.70
9	40.64	45.78
10	45.72	50.86

4UCON 元化興業股份有限公司
4UCON TECHNOLOGY INC.

DRAWING No. 02413

APPROVED BY MEI
 CHECKED BY BECKY
 DRAWING BY LCH

UNLESS OTHERWISE SPECIFIED TOLERANCES ARE
 .X ±0.5
 .XX ±0.3
 ANG.
 UNIT mm

NO. REV.	A0	NEW RELEASE			
		REVISIONS	CHK	DATE	