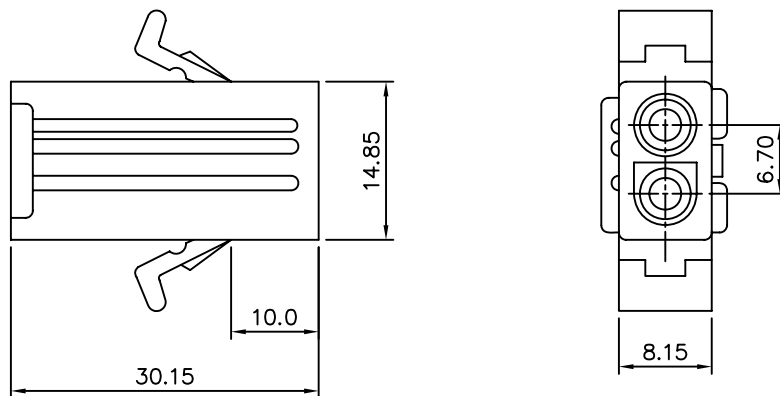


**△ SPECIFICATIONS**  
 Voltage Rating:300V AC,DC  
 Current Rating:12A AC,DC  
 Withstanding Voltage:1500V AC/Minute  
 Insulation Resistance:1000 Megohms Min.  
 Temperature Range:-25°C To +85°C  
 Material:UL 94V-2,Nylon 66



**4UCON** 元化興業股份有限公司  
 4UCON TECHNOLOGY INC.

DRAWING No.

02456

APPROVED BY

MEI

CHECKED BY

RAN

DRAWING BY

HZF

UNLESS OTHERWISE SPECIFIED

TOLERANCES ARE

.X ±0.38

.XX ±0.25

AWG.

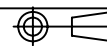
SCALE

NONE

REV.

A1

UNIT  
mm



△ A1

Add Spec.

BECKY

07/15/2005

△ A

NEW RELEASE

RAN

NO.REV.

REVISIONS

CHK

DATE