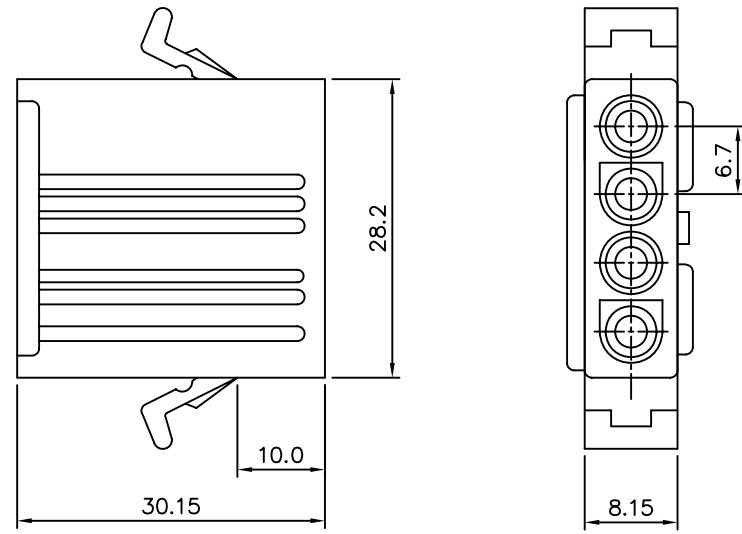


△ SPECIFICATIONS
 Voltage Rating:300V AC,DC
 Current Rating:12A AC,DC
 Withstanding Voltage:1500V AC/Minute
 Insulation Resistance:1000 Megohms Min.
 Temperature Range:-25°C To +85°C
 Material:UL 94V-2,Nylon 66



4UCON 元化興業股份有限公司
 4UCON TECHNOLOGY INC.

DRAWING No.		APPROVED BY		UNLESS OTHERWISE SPECIFIED TOLERANCES ARE .X ±0.38 .XX ±0.25 AWG.
02457		MEI		
		RAN		
		DRAWING BY		UNIT mm
		HZF		
SCALE	NONE	REV.	A1	

NO.	REV.	REVISIONS	CHK	DATE
△ A1		Add Spec.	BECKY	07/15/2005
△ A		NEW RELEASE	RAN	