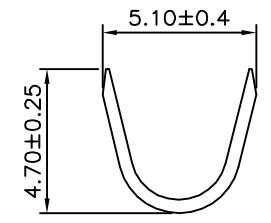
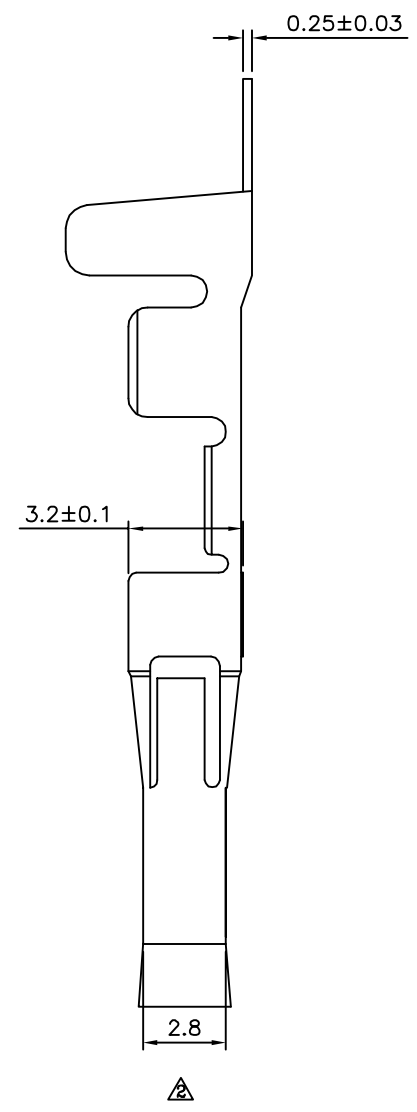
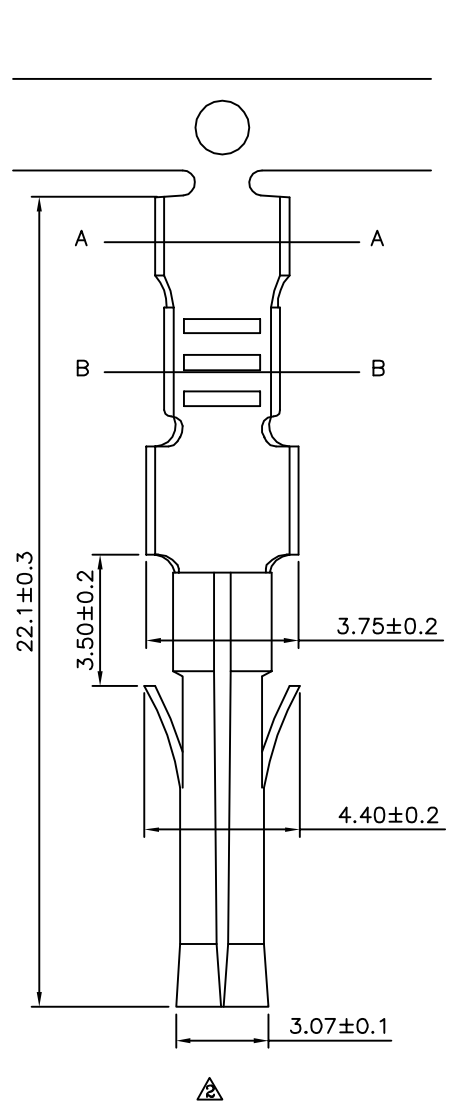
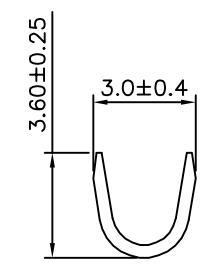


△ SPECIFICATION
 Applicable Wire:AWG #14~20
 Contact:Brass SH,Tin Plated
 Q'ty:4000 PCS/Reel
 RoHS Compliant



△ Section A-A



△ Section B-B

4UCON 元化興業股份有限公司
 4UCON TECHNOLOGY INC.

DRAWING No.		APPROVED BY		UNLESS OTHERWISE SPECIFIED TOLERANCES ARE △ .X ±0.38 △ .XX ±0.25 ANG.
02460		MEI		
		CHECKED BY HZF		
		DRAWING BY CYP		
SCALE	NONE	REV.	A3	UNIT mm

NO.	REV.	REVISIONS	CHK	DATE
△ A3		Modify Data	HZF	07/23/2016
△ A2		Modify Data	HZF	07/15/2011
△ A1		Modify Data	SHIN	09/14/2006
△ A0		NEW RELEASE	RAN	