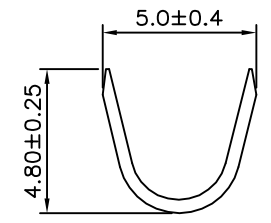
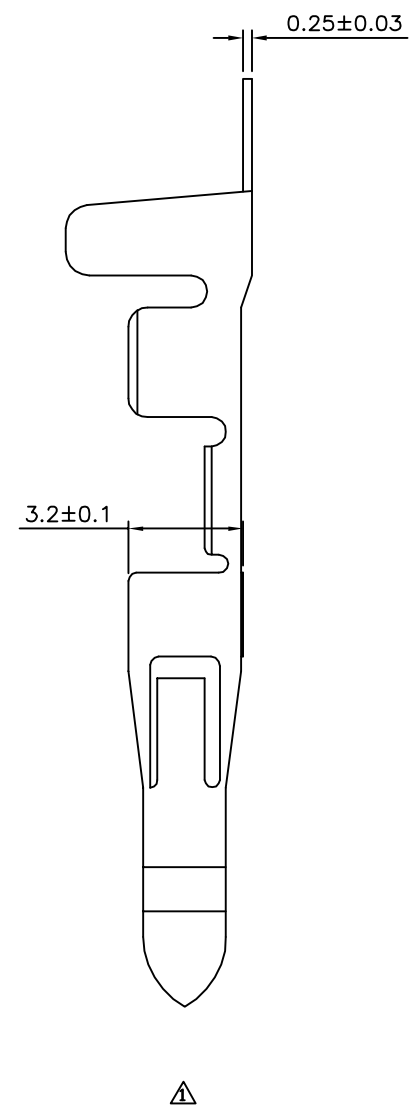
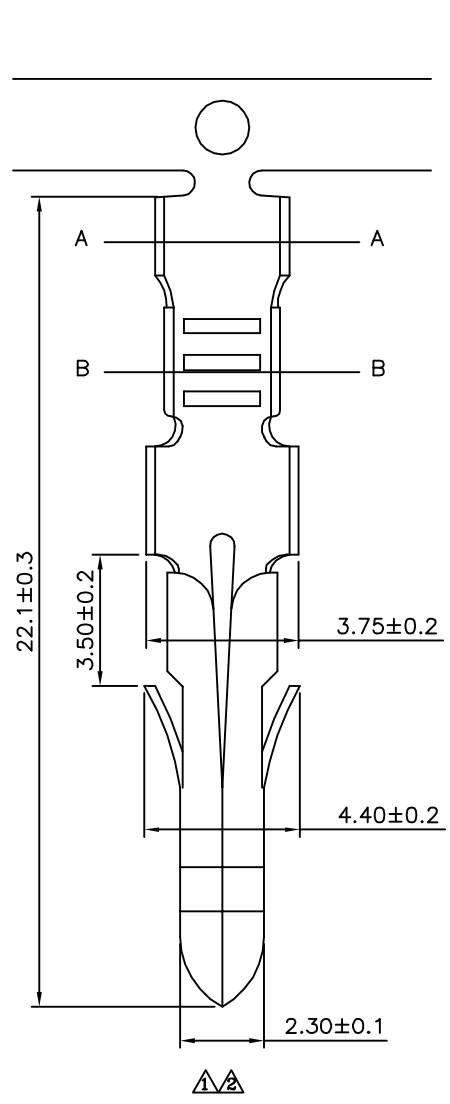
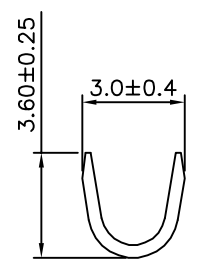


△ SPECIFICATION
 △ Applicable Wire: AWG #14~20
 Contact: Brass SH, Tin Plated
 Q'ty: 4000 PCS/Reel
 RoHS Compliant



△ Section A-A



△ Section B-B

4UCON 元化興業股份有限公司
 4UCON TECHNOLOGY INC.

DRAWING No.		APPROVED BY		UNLESS OTHERWISE SPECIFIED TOLERANCES ARE △ .X ±0.38 .XX ±0.25 ANG.
02461		MEI		
		CHECKED BY		
		HZF		
		DRAWING BY		
		WSS		
SCALE	NONE	REV.	A2	UNIT
				mm

NO.	REV.	REVISIONS	CHK	DATE
△ A2		Modify Data	HZF	07/15/2011
△ A1		Modify Data	HZF	04/20/2010
△ A0		NEW RELEASE		