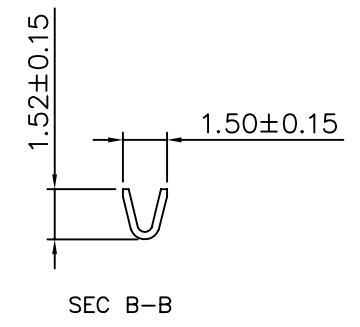
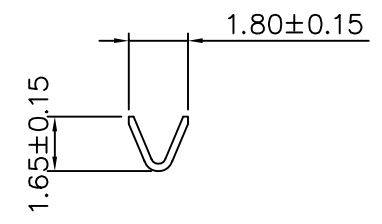
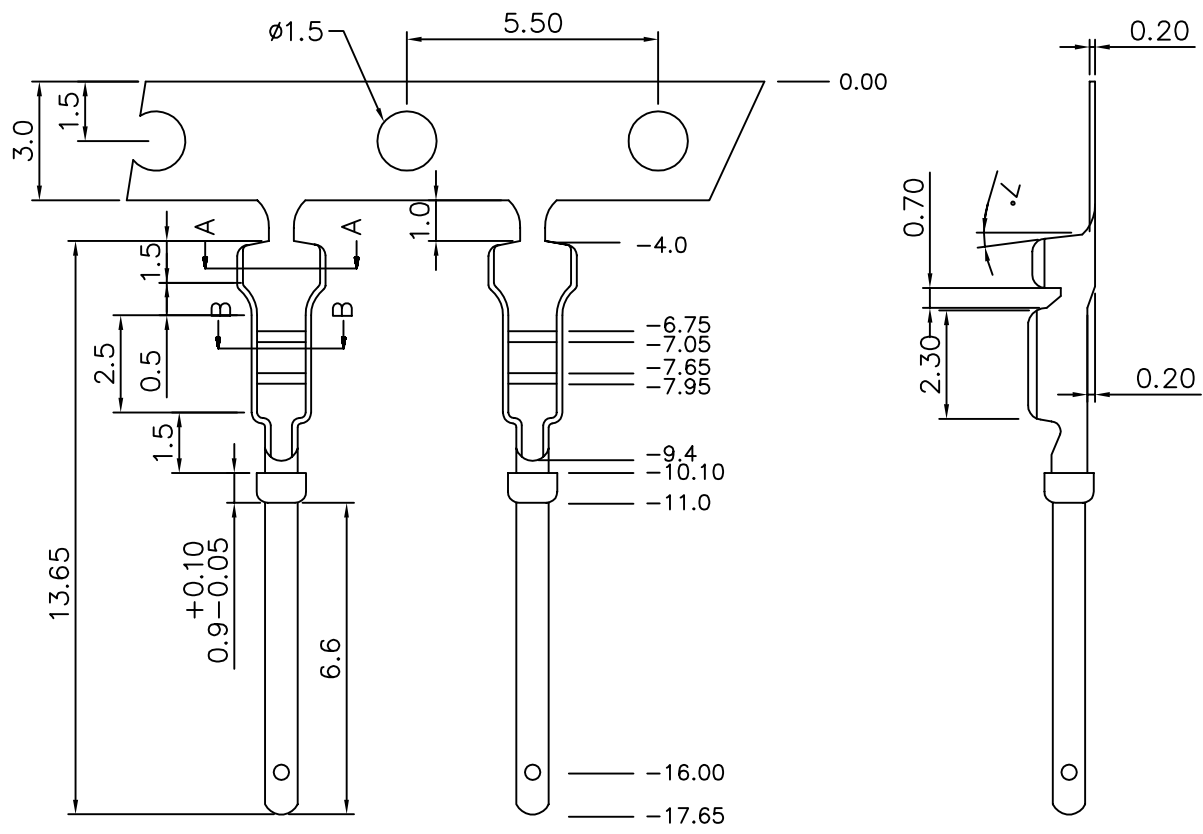


SPECIFICATIONS:

Material : Phosphor Bronze,Gold Plated 15u"
 Packing : 10K/Reel



4UCON 元化興業股份有限公司
 4UCON TECHNOLOGY INC.

DRAWING No.		APPROVED BY		UNLESS OTHERWISE SPECIFIED TOLERANCES ARE .X .XX ±0.15 .ANG
02658		MEI		
		RAN		
		DRAWING BY		
		HZF		
SCALE	NONE	REV.	A	UNIT mm

AREA	REVISIONS	CHK	DATE