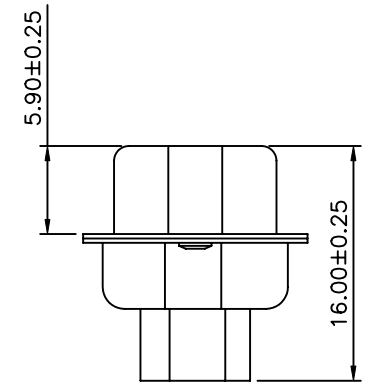
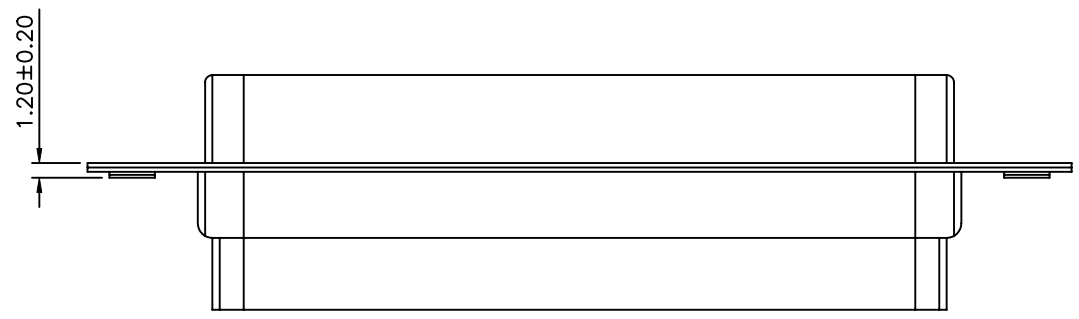
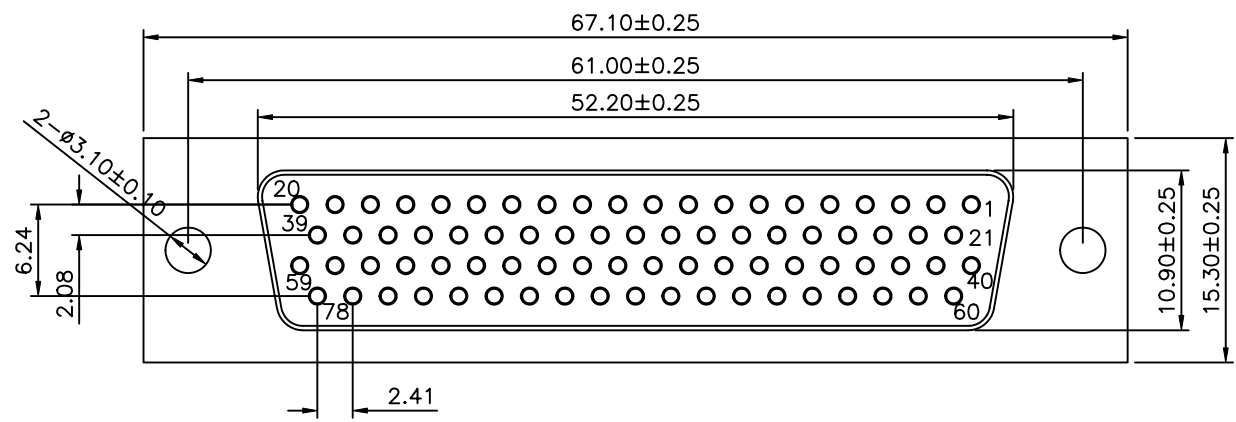


SPECIFICATION

Current Rating:1A Max
 Dielectric Withstanding Voltage:500V(AC) For 1Minute
 Contact Resistance:30Milliohms Max
 Insulation Resistance:1000Megohms Min At DC 500V
 Total Mating Force:10.0Kgf Max
 Total Unmating Force:6.0Kgf Min
 Temperature Range:-55°C~+105°C
 RoHS Compliant



4	Back-Shell	1	T=0.40mm	Cold Rolled Steel	Tin Plated
3	Front-Shell	1	T=0.40mm	Cold Rolled Steel	Nickel Plated
2	Contact	78	T=0.20mm	Brass	Gold Flashed
1	Housing	2	UL94V-0	P.B.T	Black
No.	Name	Q'ty	Remarks&Thickness	Material	Finish

4UCON 元化興業股份有限公司
 4UCON TECHNOLOGY INC.

DRAWING No.		APPROVED BY		UNLESS OTHERWISE SPECIFIED TOLERANCES ARE .X ±0.3 .XX ±0.20 .XXX ±0.100 ANG. ±1°
02664		MEI		
		HZF		
		DRAWING BY		UNIT mm
		PEGA		
SCALE	NONE	REV.	A0	NO. REV.

△ A0	NEW RELEASE	HZF	05/05/2008
NO. REV.	REVISIONS	CHK	DATE