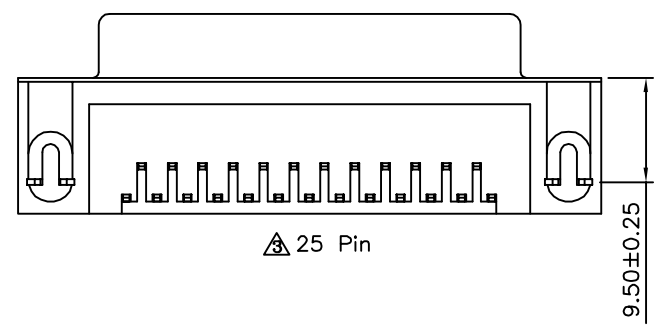
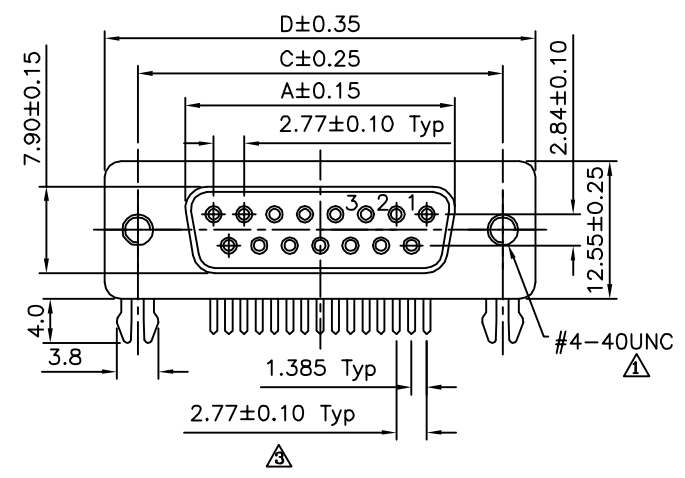
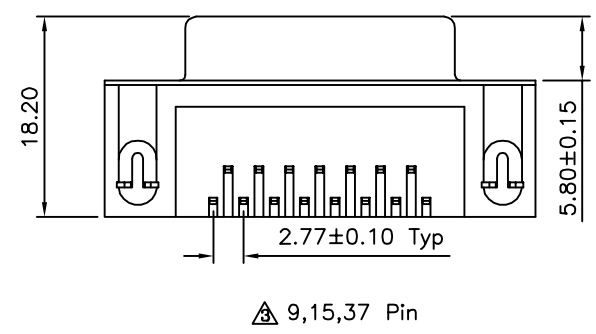


△ Recommended P.C.B. Layout

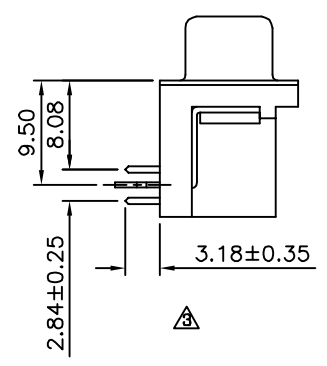
△△ SPECIFICATION
 Current Rating: 5 Amps
 Withstanding Voltage: 1000V(One Minute)
 Contact Resistance: 20 Milliohms Max.
 Insulation Resistance: 1000 Megaohms Min.
 At 500V DC
 Operating Temperature: -50°C~+105°C
 Insulator: PBT+30%G.F.(UL94V-0), Black
 Shell: SPCC, Nickel Plated
 Contact: Brass
 Gold Flash On Contact Area
 Tin Plated On Solder Tail, Over Nickel
 Z Flake: SPCC, Tin Plated
 Rivet: Copper Alloy, Nickel Plated
 RoHS Compliant



△ 25 Pin



△ 9, 15, 37 Pin



△

Pin	A	C	D
09	16.33	24.99	30.81
15	24.80	33.32	39.20
25	38.38	47.04	53.04
37	54.84	63.50	69.40

4UCON 元化興業股份有限公司
 4UCON TECHNOLOGY INC.

DRAWING No.		APPROVED BY		UNLESS OTHERWISE SPECIFIED TOLERANCES ARE △.X ±0.38 .X* ±3° .XX ±0.25 .XX* ±1° .XXX ±0.05 .XXX* ±0.5°	NO. REV.	REVISIONS	CHK	DATE			
02793		MEI	△ A3						Modify Data	HZF	07/11/2011
		HZF	△ A2						Modify Data	HZF	10/10/2009
		WSS	△ A1						Add Aperture #4-40UNC	HZF	06/08/2007
SCALE	NONE	REV.	A3	UNIT							
				mm							