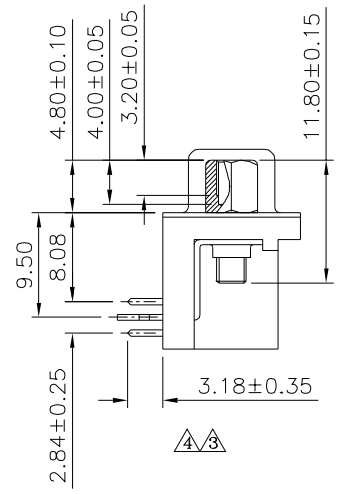
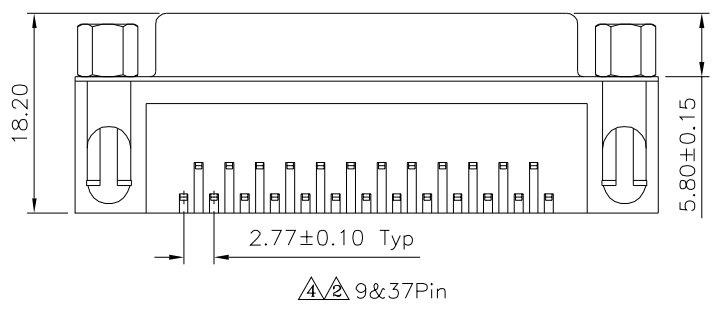
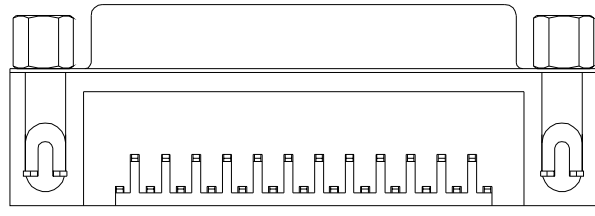
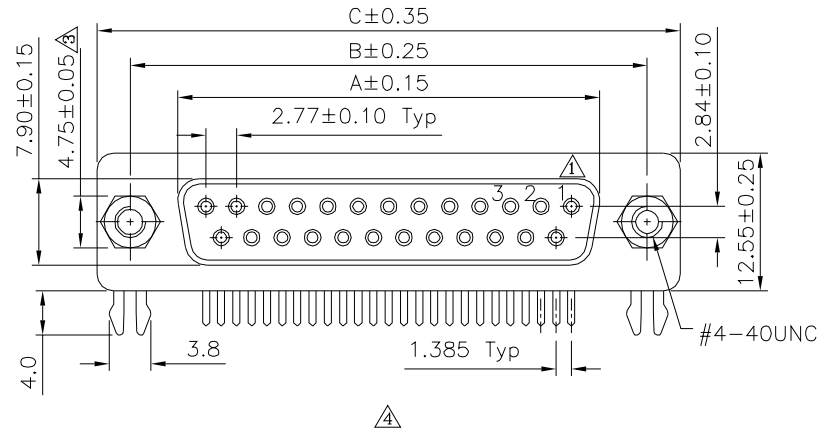


**△ SPECIFICATION**  
 △ Current Rating:1 Amps  
 Voltage Rating:250V AC  
 Withstanding Voltage:500V(One Minute)  
 Contact Resistance:30 Milliohms Max.  
 Insulation Resistance:1000 Megaohms Min.  
 At 500V DC  
 Operating Temperature:-55°C~+105°C  
 Shell:Steel,Nickel Plated  
 Insulator:PBT+30%G.F.(UL94V-0),Black  
 Contact:Brass  
 Gold Flash On Contact Area  
 Tin Plated On Solder Tails,Over Nickel  
 Z Flake:Steel,Tin Plated  
 Screw:Steel,Nickel Plated  
 RoHS Compliant



Pin	A	B	C
09	16.33	24.99	30.81
15	24.80	33.32	39.20
25	38.38	47.04	53.04
37	54.84	63.50	69.40

**4UCON** 元化興業股份有限公司  
 4UCON TECHNOLOGY INC.

DRAWING No.		APPROVED BY		UNLESS OTHERWISE SPECIFIED TOLERANCES ARE .X ±0.38 .X* ±3* .XX ±0.25 .XX* ±1* .XXX ±0.05 .XXX* ±0.5*	△ C4	Modify Data	HZF	08/10/2021
02801		MEI			△ C3	Modify Data	HZF	07/22/2015
		CHECKED BY			△ C2	Modify Data	HZF	12/27/2013
SCALE NONE		DRAWING BY		△ C1	Modify Data	HZF	08/12/2013	
		CYP		△ C0	NEW RELEASE	HZF	05/24/2013	
REV.	C4	UNIT	mm	NO.REV.	REVISIONS	CHK	DATE	