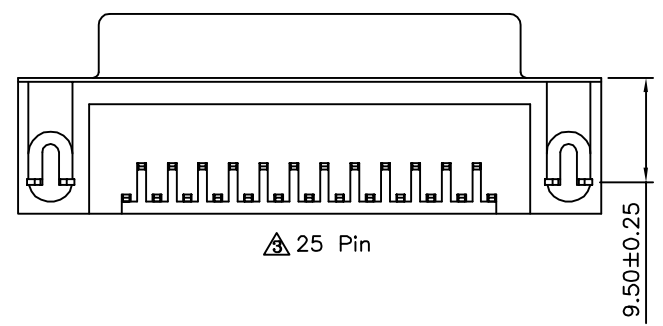
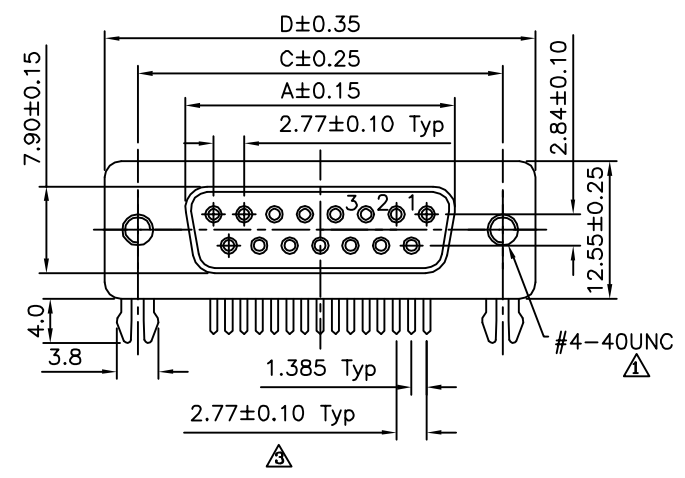
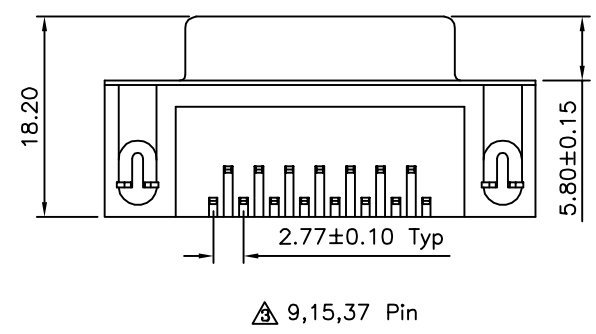


△ Recommended P.C.B. Layout

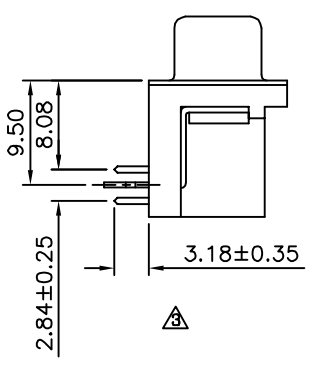
**△△ SPECIFICATION**  
 Current Rating: 5 Amps  
 Withstanding Voltage: 1000V(One Minute)  
 Contact Resistance: 20 Milliohms Max.  
 Insulation Resistance: 1000 Megaohms Min.  
 At 500V DC  
 Operating Temperature: -50°C~+105°C  
 Insulator: PBT+30%G.F.(UL94V-0), Black  
 Shell: SPCC, Nickel Plated  
 Contact: Brass  
 Gold Flash On Contact Area  
 Tin Plated On Solder Tail, Over Nickel  
 Z Flake: SPCC, Tin Plated  
 Rivet: Copper Alloy, Nickel Plated  
 RoHS Compliant



△ 25 Pin



△ 9,15,37 Pin



△

△ Pin	A	C	D
09	16.33	24.99	30.81
15	24.80	33.32	39.20
25	38.38	47.04	53.04
37	54.84	63.50	69.40

**4UCON** 元化興業股份有限公司  
 4UCON TECHNOLOGY INC.

DRAWING No.		APPROVED BY		UNLESS OTHERWISE SPECIFIED TOLERANCES ARE △.X ±0.38 .X* ±3° .XX ±0.25 .XX* ±1° .XXX ±0.05 .XXX* ±0.5°	<table border="1"> <tr> <td>△ A3</td> <td>Modify Data</td> <td>HZF</td> <td>07/11/2011</td> </tr> <tr> <td>△ A2</td> <td>Modify Data</td> <td>HZF</td> <td>10/10/2009</td> </tr> <tr> <td>△ A1</td> <td>Add Aperture #4-40UNC</td> <td>HZF</td> <td>06/08/2007</td> </tr> <tr> <td>△ A0</td> <td>NEW RELEASE</td> <td>HZF</td> <td>11/28/2006</td> </tr> </table>	△ A3	Modify Data	HZF	07/11/2011	△ A2	Modify Data	HZF	10/10/2009	△ A1	Add Aperture #4-40UNC	HZF	06/08/2007	△ A0	NEW RELEASE	HZF	11/28/2006
△ A3	Modify Data	HZF	07/11/2011																		
△ A2	Modify Data	HZF	10/10/2009																		
△ A1	Add Aperture #4-40UNC	HZF	06/08/2007																		
△ A0	NEW RELEASE	HZF	11/28/2006																		
02805		MEI																			
		HZF																			
		WSS																			
SCALE	NONE	REV.	A3	UNIT	mm																
				NO. REV.	REVISIONS	CHK	DATE														