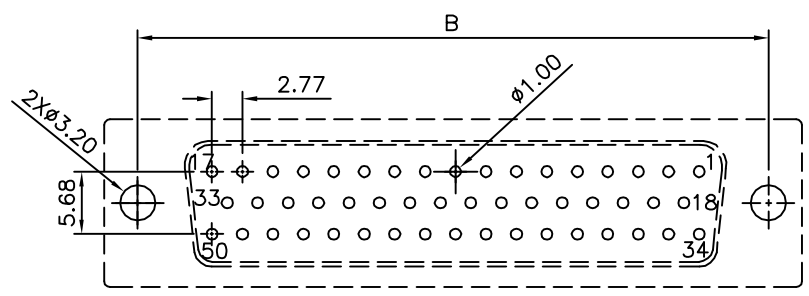
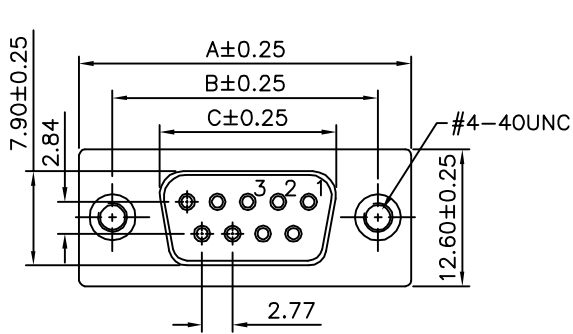


Recommended P.C.B. Layout

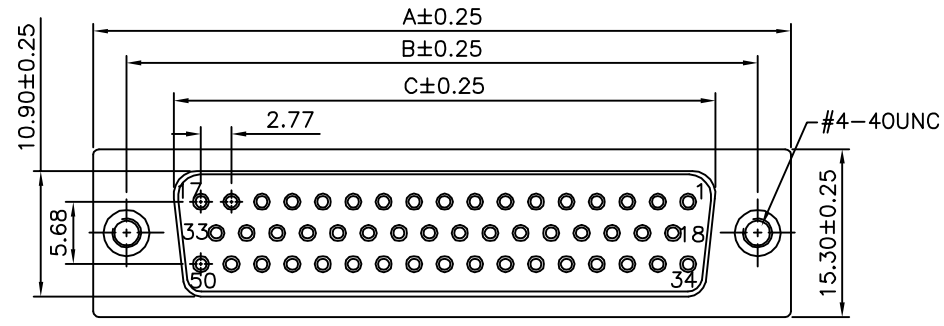


Recommended P.C.B. Layout

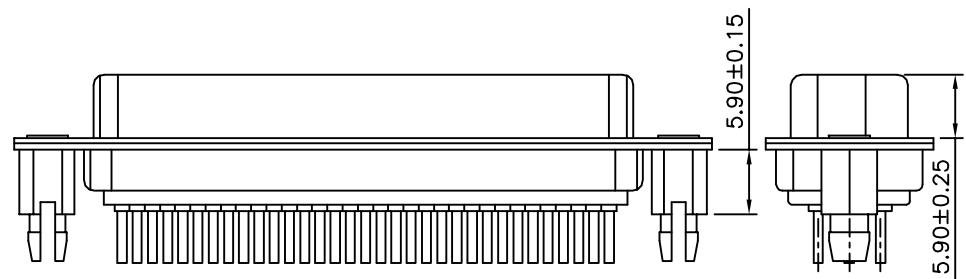
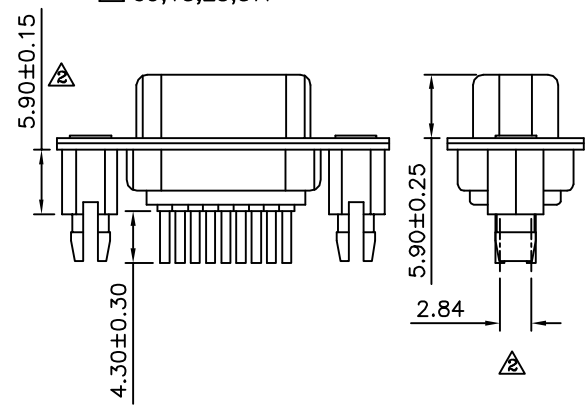
△ SPECIFICATION
 Current Rating:1A Max.
 Dielectric Withstanding Voltage:500V AC For 1 Minute
 Contact Resistance:30 Milliohms Max.
 Insulation Resistance:1000 Megaohms Min. At DC 500V
 Temperature Range:-55°C~+105°C
△ Housing:PBT(UL94V-0),Black
 Contact:Brass,Gold Flash On Contact Area, Tin Plated On Solder Tails,Over Nickel
△ Front Shell:Cold Rolled Steel,Tin Plated Over Copper
 Back Shell:Cold Rolled Steel,Tin Plated Over Copper
 Boardlock:Brass,Nickel Plated
 RoHS Compliant



09,15,25,37P



50P



Pin	Insertion Force	Extraction Force
09	5.5 Kgf Max.	1.7 Kgf Min.
15	6.5 Kgf Max.	1.9 Kgf Min.
25	7.5 Kgf Max.	2.7 Kgf Min.
37	9.0 Kgf Max.	3.2 Kgf Min.
50	12.0 Kgf Max.	3.7 Kgf Min.

Pin	A	B	C
09	30.80	25.00	16.30
15	39.20	33.32	24.70
25	53.05	47.04	38.40
37	69.40	63.50	54.80
50	67.10	61.00	52.20

4U CON 元化興業股份有限公司
 4U CON TECHNOLOGY INC.

DRAWING No.		APPROVED BY		UNLESS OTHERWISE SPECIFIED TOLERANCES ARE .X ±0.30 .XX ±0.20 .XXX ±0.10 ANG. ±1°
02910		MEI		
		CHECKED BY		
		HZF		
		DRAWING BY		UNIT mm
		SONG		
SCALE	NONE	REV.	B3	NO. REV.

NO. REV.	REVISIONS	CHK	DATE
△ B3	Modify Data	HZF	09/02/2014
△ B2	Modify Data	HZF	08/27/2013
△ B1	Modify Data	HZF	07/21/2010
△ B0	NEW RELEASE	HZF	06/10/2009