

**ELECTRICAL CHARACTERISTICS:**

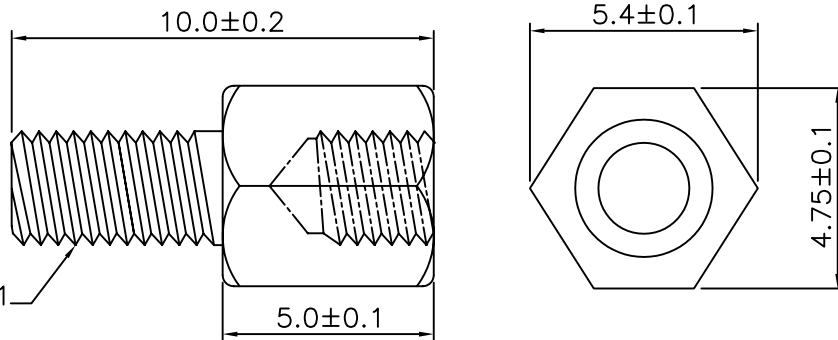
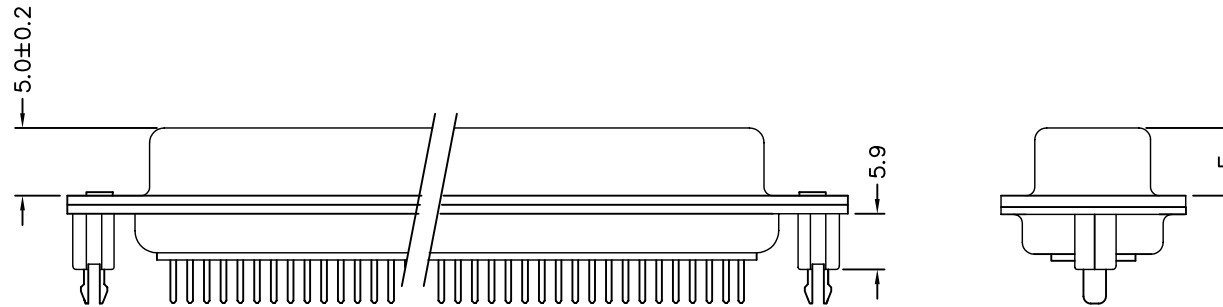
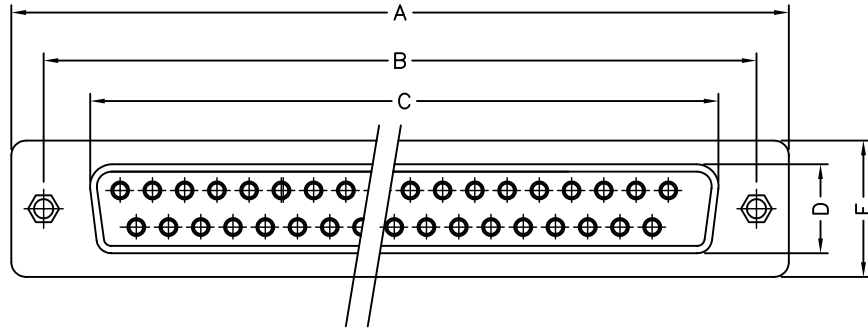
Contact Current Rating: 1 Amperes.  
 Dielectric Withstanding Voltage: AC 500V R.M.S.  
 Insulation Resistance: 500 Megohms Minimum At DC 500V  
 Contact Resistance: 30 Milliohms Maximum.  
 Operating Temperature: -55°C To 105°C.

**MATERIALS:**

Contact: Brass.  
 Insulator: P.B.T. UL 94-V0 Rated.  
 Shell: Gold Rolled Steel.

**FINISHES:**

Contacts: Gold Flashed.  
 Shell: Nickel, Tin, Zinc Plated.



#4-40UNC O 2.7±0.1

Part No.	A±0.25	B±0.25	C±0.25	D±0.25	E±0.25	F±0.25
09S	30.80	25.00	16.30	7.90	12.60	5.90
15S	39.20	33.32	24.70	7.90	12.60	5.90
19S	44.80	38.86	30.00	7.90	12.60	5.90
23S	50.30	44.30	35.50	7.90	12.60	5.90
25S	53.05	47.04	38.40	7.90	12.60	5.90
37S	69.40	63.50	54.80	7.90	12.60	5.90

**4UCON** 元化興業股份有限公司  
 4UCON TECHNOLOGY INC.

DRAWING No.

02922

APPROVED BY

MEI

CHECKED BY

BECKY

DRAWING BY

HZF

UNLESS OTHERWISE SPECIFIED

TOLERANCES ARE

.X ±0.38

.XX ±0.25

ANG.

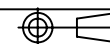
SCALE

NONE

REV.

A0

UNIT  
mm



NO. REV.

△ A0 NEW RELEASE

REVISIONS

BECKY

CHK

DATE