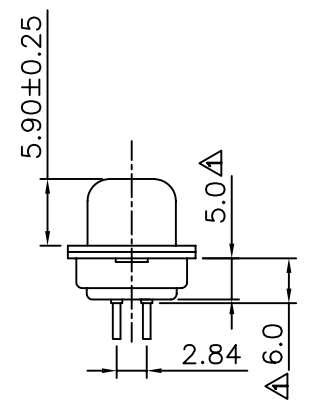
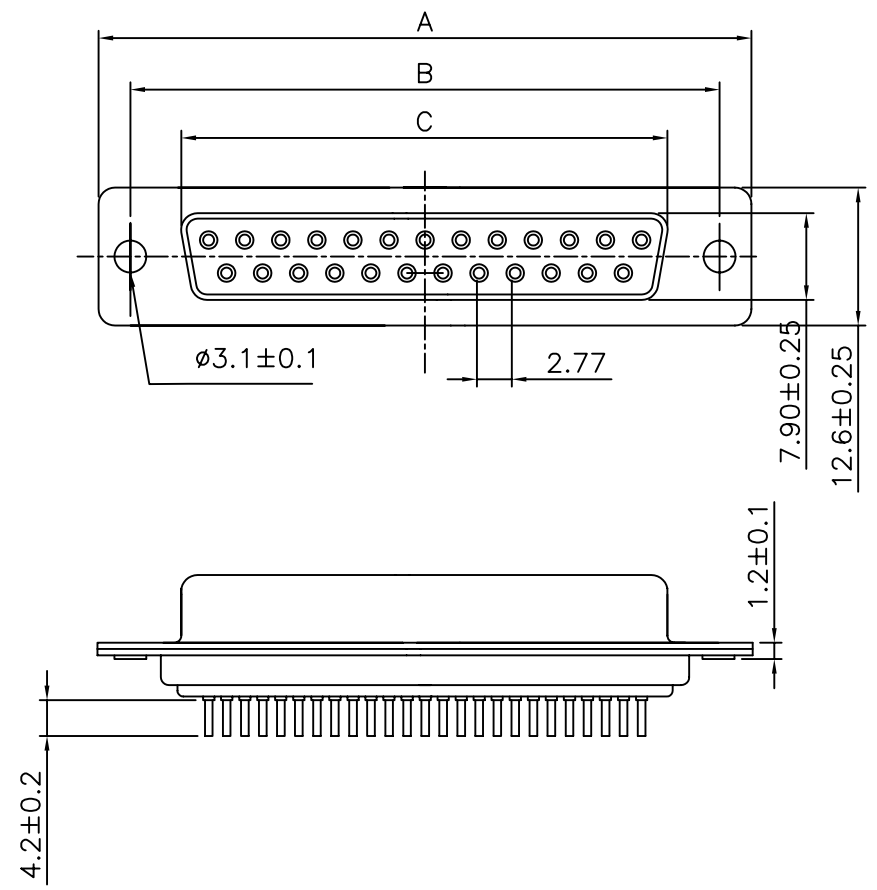


SPECIFICATIONS:

Contact Current Rating: 1 Ampere
 Dielectric Withstanding Voltage: AC 500V R.M.S.
 Insulation Resistance : 500Megohms Min. At DC 500V
 Contact Resistance: 30Milliohms. Max.
 Operating Temperature: -40°C ~ +70°C
 Contact: Brass , Gold Flashed
 Insulator: P.B.T. UL94V-0 Rated
 Shell: Cold Rolled Steel, Nickel , Tin, Zinc Plated



Circuits	A±0.25	B±0.25	C±0.25
09	30.80	25.00	16.30
15	39.20	33.32	24.70
19	44.80	38.86	30.00
23	50.30	44.30	35.50
25	53.05	47.04	38.40
37	69.40	63.50	54.80

4UCON 元化興業股份有限公司
 4UCON TECHNOLOGY INC.

DRAWING No. 02940

APPROVED BY MEI
 CHECKED BY MEI
 DRAWING BY HZF

UNLESS OTHERWISE SPECIFIED TOLERANCES ARE
 .X ±0.38
 .XX ±0.25
 ANG.
 UNIT mm

NO.	REV.	ADD DIM. REVISIONS	MEI CHK	DATE
△	A1			2003/05/21

SCALE NONE

REV. A1

NO. REV.

ADD DIM. REVISIONS

MEI CHK

DATE