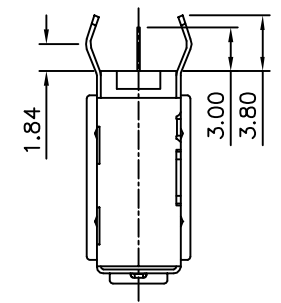
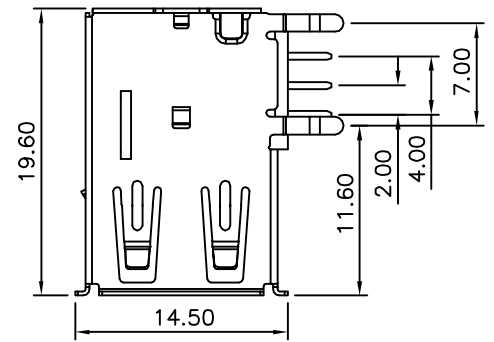
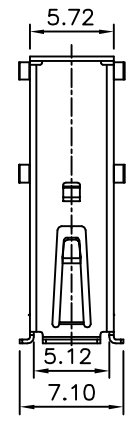
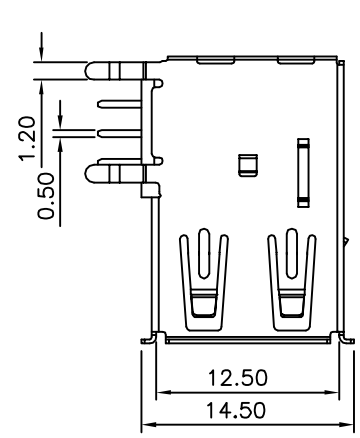


**SPECIFICATION**

Current Rating:1A  
 Dielectric Withstanding Voltage:500V AC RMS  
 Insulation Resistance:1000 Megohms Min. At 500V DC  
 Operating Temperature:-40°C~+85°C  
 Contact Resistance:30 Milliohms Max.  
 Housing:PBT(UL94V-0)  
 12333:White  
 02974:Black  
 Cover:LCP(UL94V-0),Black  
 Contact:Brass  
 Gold Flash On Contact Area,Tin  
 Plated On Solder Tails,Over Nickel  
 Shell:Brass,Nickel Plated  
 RoHS Compliant



**4UCON** 元化興業股份有限公司  
 4UCON TECHNOLOGY INC.

DRAWING No.		APPROVED BY		UNLESS OTHERWISE SPECIFIED TOLERANCES ARE X. ±0.50 XX ±0.38 XXX ±0.25 ANG. ±2°
02974		MEI		
		CHECKED BY	HZF	
		DRAWING BY	HAO	
SCALE	NONE	REV.	A0	UNIT mm

NO.	REV.	REVISIONS	CHK	DATE
△ A0		NEW RELEASE	HZF	05/27/2015