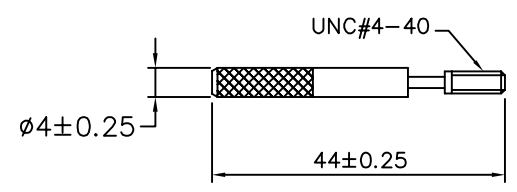
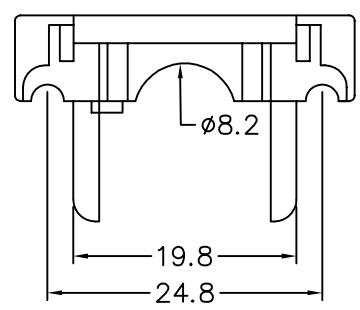


SPECIFICATIONS:
 Material: ABS, UL 94HB
 With Long Screw



4UCON 元化興業股份有限公司
 4UCON TECHNOLOGY INC.

| | | | | |
|-------------|------|-------------|---|--|
| DRAWING No. | | APPROVED BY | | UNLESS OTHERWISE SPECIFIED TOLERANCES ARE .X ± 0.25 .XX ± 0.15 ANG. |
| 03102 | | MEI | | |
| | | RAN | | |
| | | DRAWING BY | | |
| | | HZZF | | |
| SCALE | NONE | REV. | A | UNIT mm |

| | | | |
|------|-----------|-----|------|
| AREA | REVISIONS | CHK | DATE |
| | | | |