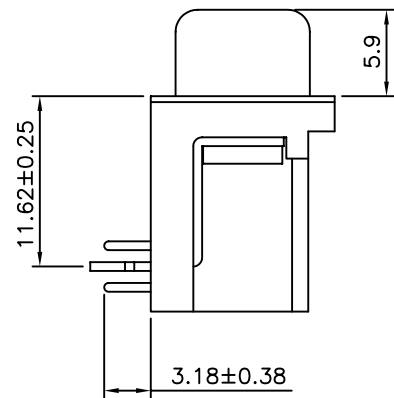
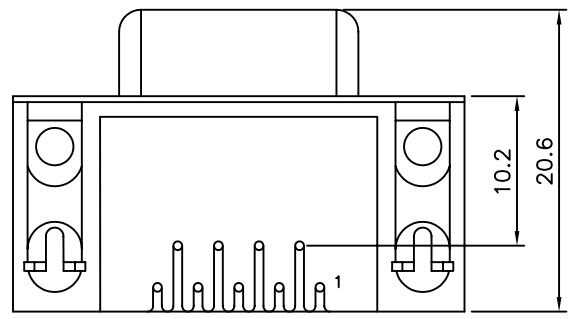
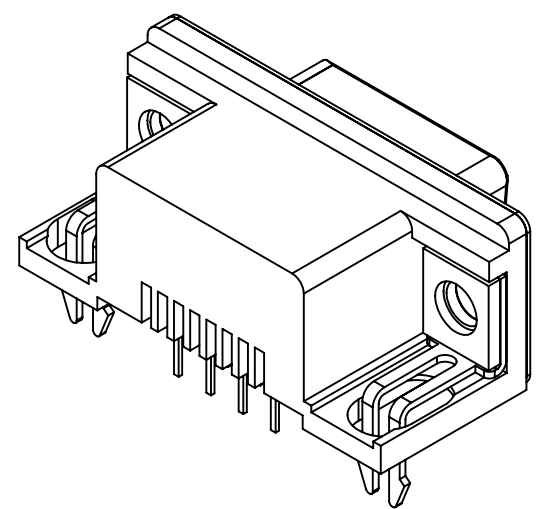
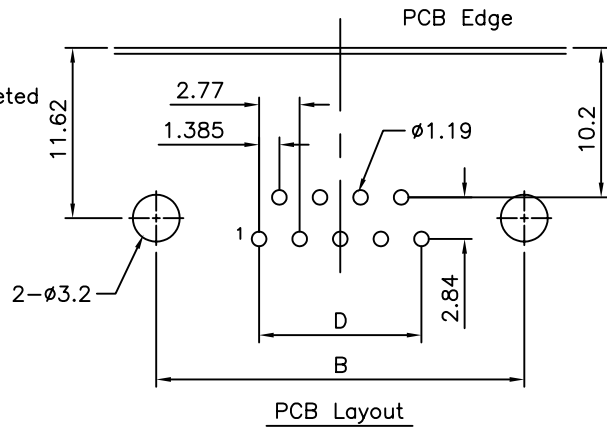
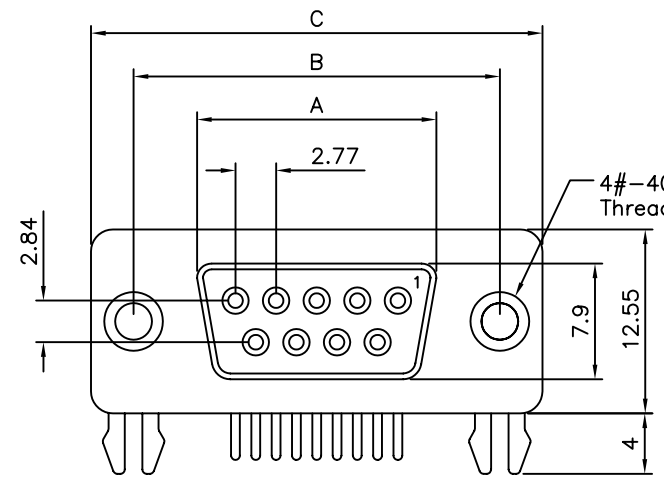


SPECIFICATIONS

Current Rating:5 Amp
 Dielectric Withstanding Voltage:1000V AC For 1 Minute
 Insulation Resistance:1000 Megohms Min. At 500V DC
 Contact Resistance:15 Milliohms Max.
 Operating Temperature:-55°C~+105°C
 Insulator:PBT+30% Glass Fiber
 UL 94V-0,Black
 Contact:Copper Alloy,Gold Flash
 Shell:Steel,Nickel Plated
 Boardlock:Brass,Tin Plated
 Riveted Insert:Brass,Nickel Plated



Pin	A±0.25	B±0.25	C±0.38	D
09	16.33	24.99	30.80	11.08
15	24.66	33.32	39.10	19.39
25	38.38	47.04	53.00	33.24
37	54.84	63.50	69.32	49.86

4UCON 元化興業股份有限公司
 4UCON TECHNOLOGY INC.

DRAWING No.		APPROVED BY		UNLESS OTHERWISE SPECIFIED TOLERANCES ARE .X ±0.25 .XX ±0.15 .XXX ±0.05 ANG. ±1°
03115		MEI		
		BECKY		
		DRAWING BY		UNIT mm
		HZF		
SCALE	NONE	REV.	BO	UNIT

NO.	REV.	REVISIONS	CHK	DATE
△ BO		NEW RELEASE	BECKY	09/09/2005