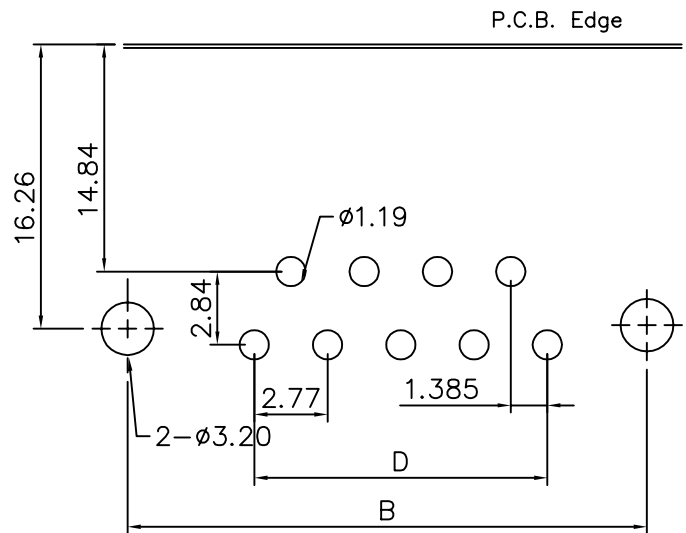
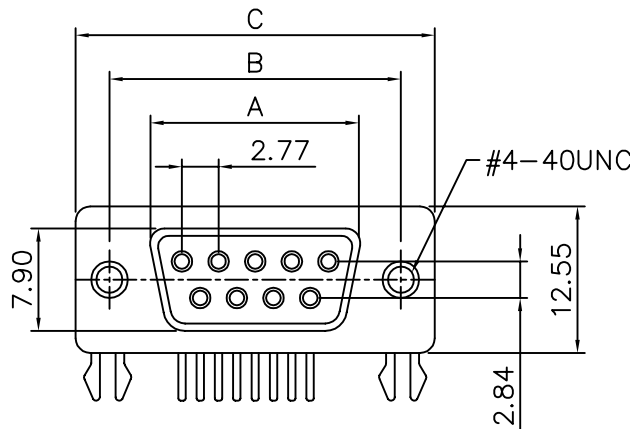
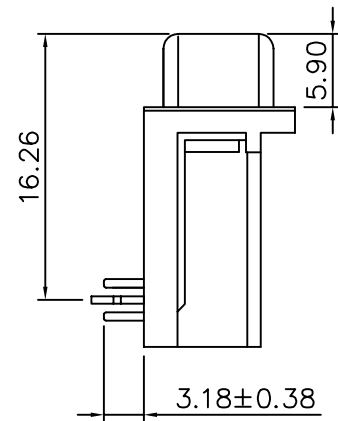
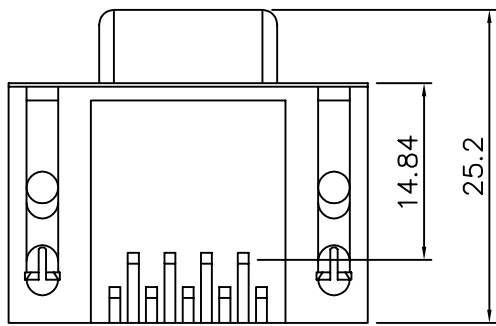


**SPECIFICATIONS**

Current Rating: 5 AMP  
 Dielectric Withstanding Voltage:  
 1000V Per Minute  
 Insulation Resistance: 1000 Megohms Min.  
 At 500V DC  
 Contact Resistance: 15 Milliohms Max. 10 SES.  
 Operating Temperature: -55°C ~ +105°C  
 Insulator: PBT+30% Glass Fiber  
 UL 94V-0  
 Contact: Brass, Tin Plated  
 Shell: Steel Nickel Plated



P.C.B. Layout



Pin	A±0.20	B±0.25	C±0.38	D
09	16.33	24.99	30.80	11.08
15	24.66	33.32	39.10	19.39
25	38.38	47.04	53.00	33.24
37	54.84	63.50	69.32	49.86

**4UCON** 元化興業股份有限公司  
 4UCON TECHNOLOGY INC.

DRAWING No.  
 03127

APPROVED BY MEI  
 CHECKED BY RAN  
 DRAWING BY HZF

UNLESS OTHERWISE SPECIFIED TOLERANCES ARE  
 .X ±0.25  
 .XX ±0.15  
 .XXX ±0.05

SCALE NONE REV. A UNIT mm

AREA REVISIONS CHK DATE