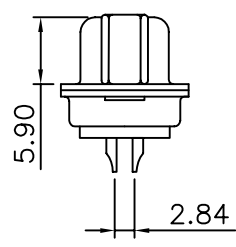
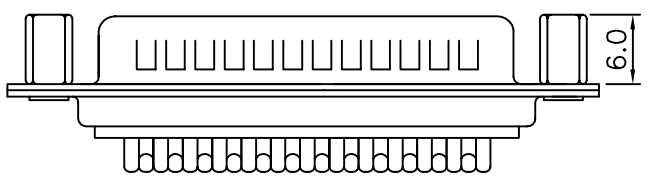
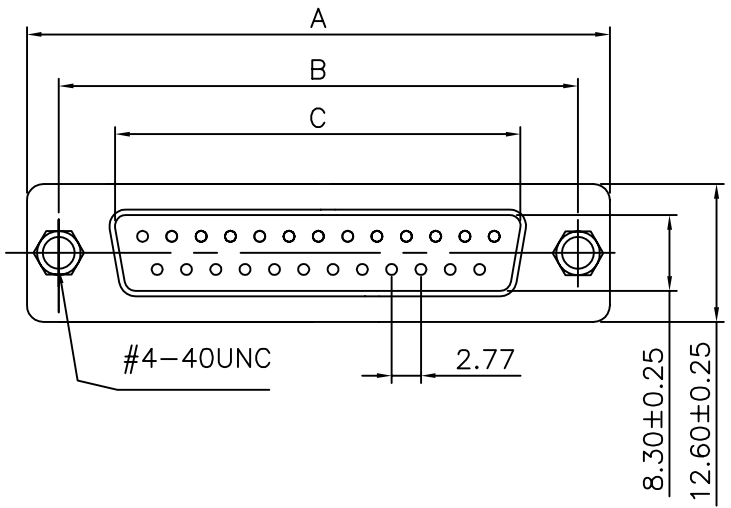


SPECIFICATIONS:

Contact Current Rating: 1 Amp
 Dielectric Withstanding Voltage: AC 500V R.M.S.
 Insulation Resistance : 500Megohms Min. At DC 500V
 Contact Resistance: 30Milliohms. Max.
 Operating Temperature: -55°C ~ +105°C
 Contact: Brass ,Tin Plated
 Insulator: P.B.T. UL94V-0 Rated
 Shell: Cold Rolled Steel, Tin Plated



Positions	A±0.25	B±0.25	C±0.25
09	30.80	25.00	16.92
15	39.20	33.32	25.25
19	44.80	38.86	30.60
23	50.30	44.30	36.10
25	53.05	47.04	38.96
37	69.40	63.50	55.42

4UCON 元化興業股份有限公司
 4UCON TECHNOLOGY INC.

DRAWING No.
 03236

APPROVED BY MEI
 CHECKED BY RAN
 DRAWING BY HZF

UNLESS OTHERWISE SPECIFIED TOLERANCES ARE
 .X ±0.38
 .XX ±0.25
 ANG.

SCALE NONE

REV. A

UNIT mm

AREA REVISIONS CHK DATE