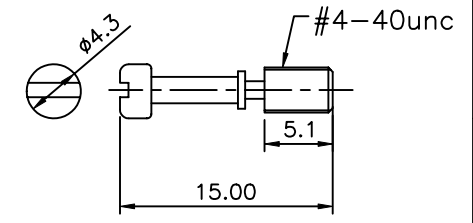
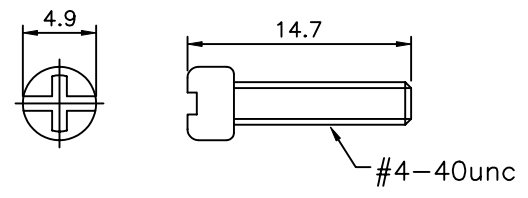
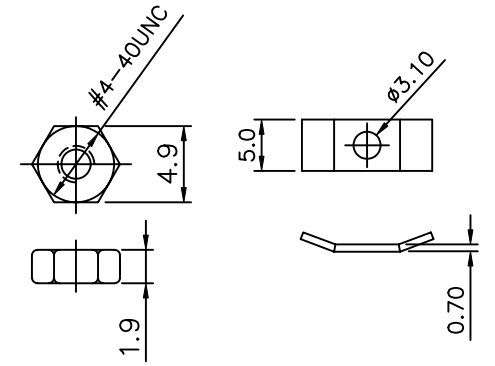
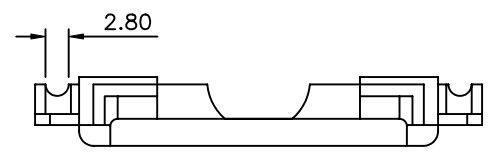
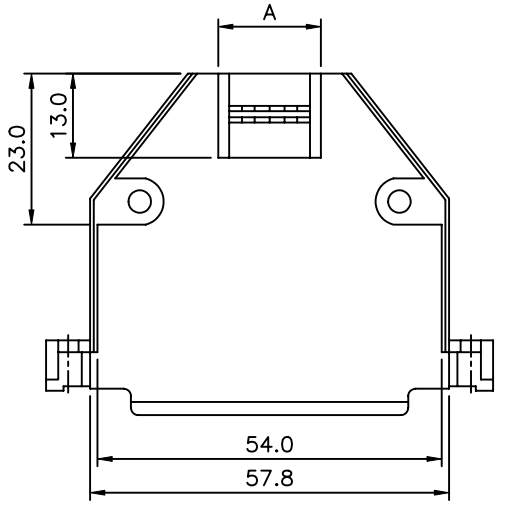
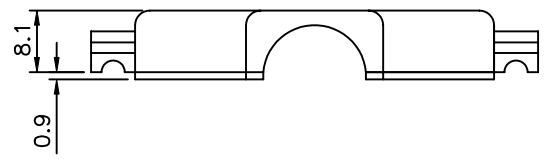
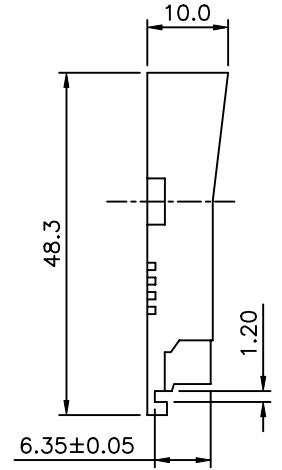
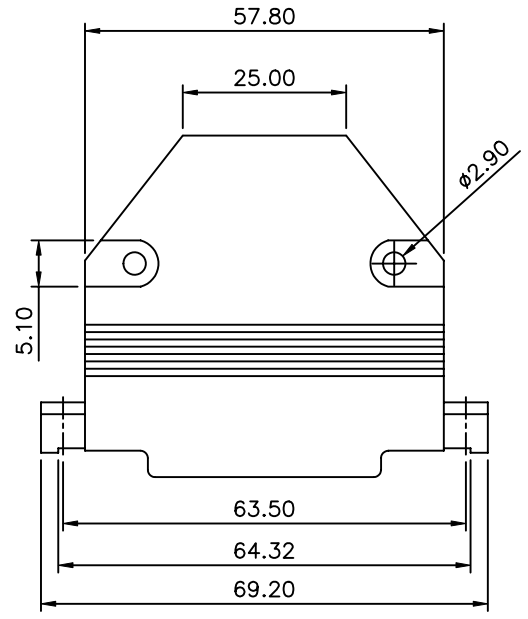


SPECIFICATIONS:
 Shell: Zinc Alloy, Nickel Plated Overall
 Accessories(2Pcs/Set): Steel
 Nickel Plated Overall
 A For Cable Dim.
 A: $\phi 10.0$; $\phi 12.0$; $\phi 14.0$; $\phi 16.0$
 RoHS Compliant



4UCON 元化興業股份有限公司
 4UCON TECHNOLOGY INC.

DRAWING No.		APPROVED BY		UNLESS OTHERWISE SPECIFIED TOLERANCES ARE .X ±0.38 .XX ±0.25 ANG.
03402		MEI		
		SHIN		
		DRAWING BY		
		INGRID		
SCALE	NONE	REV.	A0	UNIT mm

NO.	REV.	REVISIONS	CHK	DATE
△ A0		NEW RELEASE	SHIN	06/24/2007