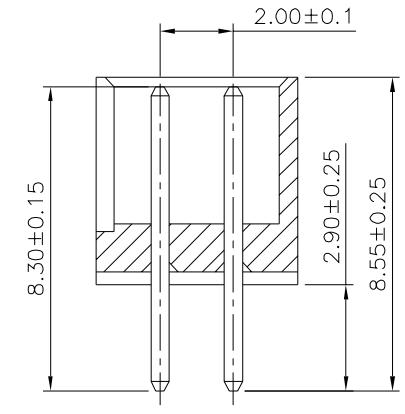
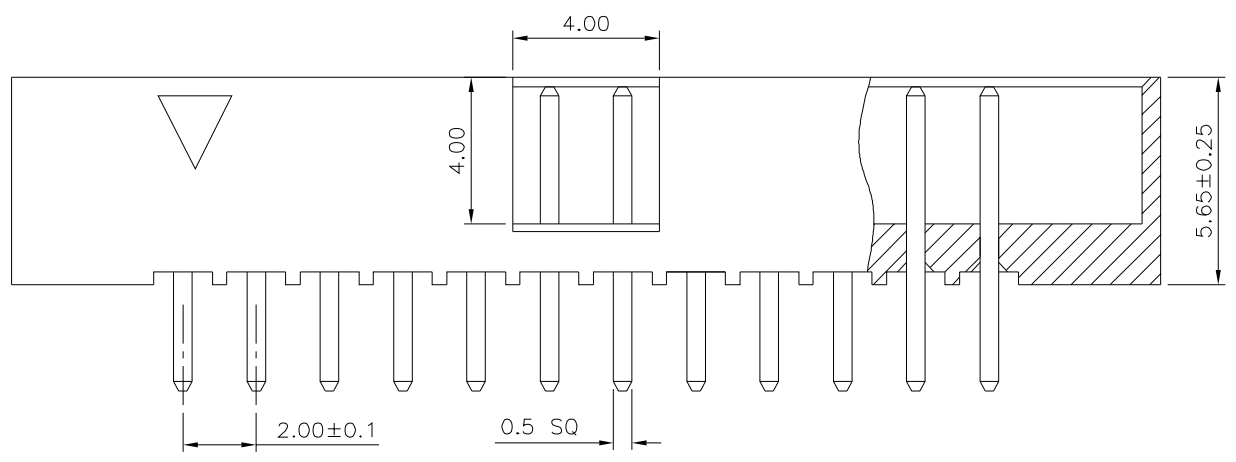
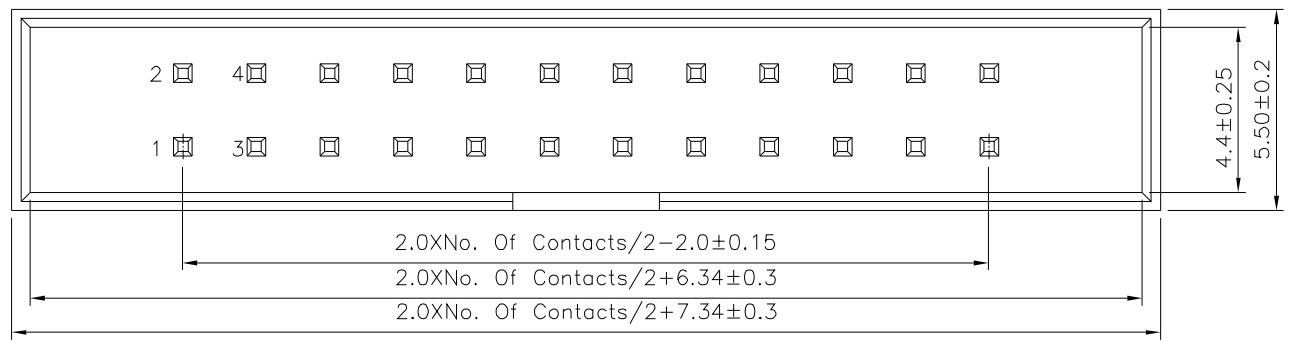


SPECIFICATION
 Current Rating:1.5 Amps
 Withstand Voltage:500V AC
 Contact Resistance:20 Milliohms Max.
 Insulation Resistance:1000 Megaohms Min.
 Operation Temperature:-40°C~+105°C
 Insulator:PA6T(UL94V-0),Black
 Contact:Brass,Gold Plated Over Nickel
 RoHS Compliant



4UCON 元化興業股份有限公司
 4UCON TECHNOLOGY INC.

DRAWING No.		APPROVED BY		UNLESS OTHERWISE SPECIFIED TOLERANCES ARE	
03472		MEI		X. ±0.25 X.* ±2°	
		CHECKED BY		.X ±0.20 .X* ±1.5°	
		DRAWING BY		.XX ±0.15 .XX* ±1°	
		CYP		.XXX ±0.10 .XXX* ±0.5°	
SCALE	NONE	REV.	BO	UNIT	mm

NO.	REV.	BO	NEW RELEASE	CHK	DATE
				HZF	05/09/2018
			REVISIONS		