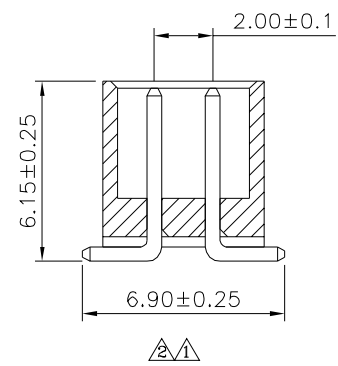
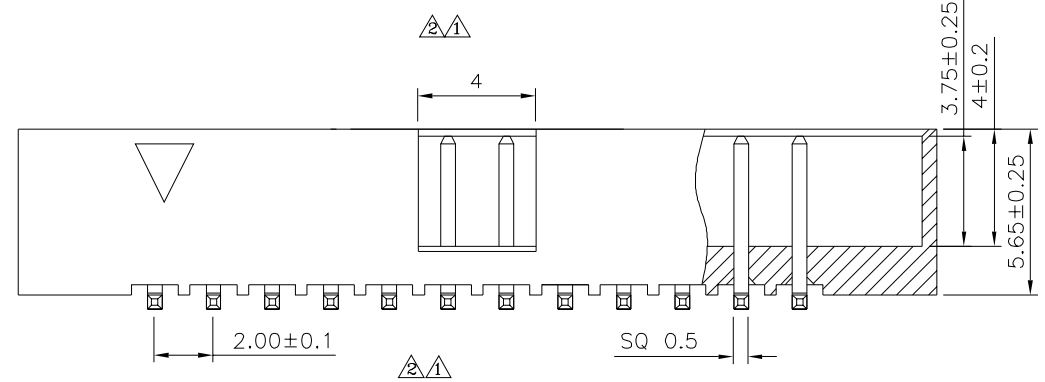
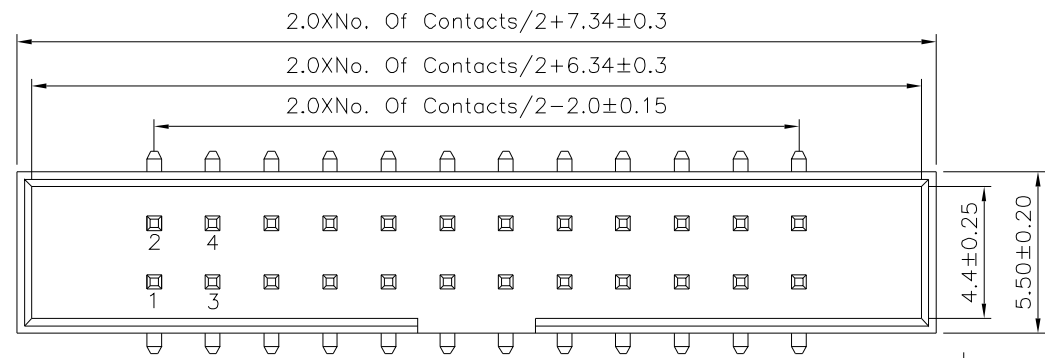


Recommend P.C.B Board Layout
PCB Tolerance:±0.05(Top View)



SPECIFICATION

Current Rating:1.5A
Withstand Voltage:500V AC Min./Minute
Contact Resistance:20 Milliohms Max.
Insulation Resistance:1000 Megaohms Min.
Operation Temperature:-40°C~+105°C
△ Housing:PA9T(UL94V-0),Black
Contact:Brass,Gold Flash Over Nickel
RoHS Compliant

4UCON 元化興業股份有限公司
4UCON TECHNOLOGY INC.

DRAWING No.		APPROVED BY		UNLESS OTHERWISE SPECIFIED TOLERANCES ARE △ X. ±0.30 X.* ±2* .X ±0.25 .X* ±1.5* .XX ±0.20 .XX* ±1.0* .XXX ±0.15 .XXX* ±0.5* UNIT mm	NO. REV.	REVISIONS	CHK	DATE
03507		MEI						
SCALE NONE		HZF						
REV. A2		CYP						

△ A2	Modify Data	HZF	12/16/2024
△ A1	Modify Data	HZF	05/23/2018
△ A0	NEW RELEASE	HZF	12/06/2013