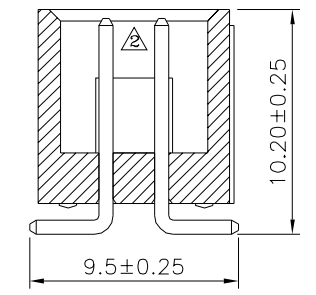
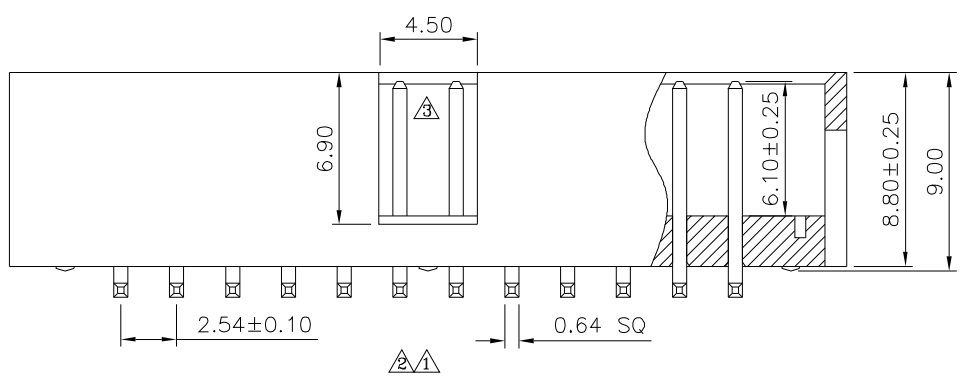
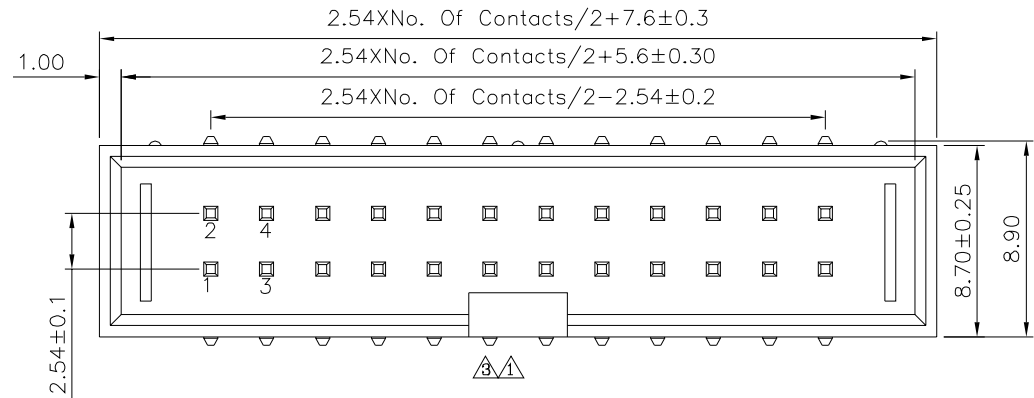


Recommended P.C.B. Layout  
PCB Tolerance: ±0.05 (Top View)



**△ SPECIFICATION**  
 Current Rating: 3 Amps  
 Withstand Voltage: 1000V AC  
 Contact Resistance: 20 Milliohms Max.  
 Insulation Resistance: 1000 Megaohms Min.  
 Operation Temperature: -40°C ~ +105°C  
 Insulator: PA6T(UL94V-0), Black  
 Contact: Brass, Gold Flash Over Nickel  
 RoHS Compliant

**4UCON** 元化興業股份有限公司  
4UCON TECHNOLOGY INC.

DRAWING No.		APPROVED BY	
03588		EMILY	
		CHECKED BY	
		HZF	
DRAWING BY		CYP	
SCALE	NONE	REV.	A3

UNLESS OTHERWISE SPECIFIED TOLERANCES ARE			
X. ±0.25	△ X.* ±2°		
.X ±0.20	△ .X* ±1.5°		
.XX ±0.15	.XX* ±1°		
.XXX ±0.10	.XXX* ±0.5°		
UNIT	mm		
NO. REV.	REVISIONS		DATE
△ A3	Modify Data	HZF	04/17/2015
△ A2	Modify Data	HZF	02/04/2015
△ A1	Modify Data	HZF	01/22/2015
△ A0	NEW RELEASE	HZF	12/20/2010