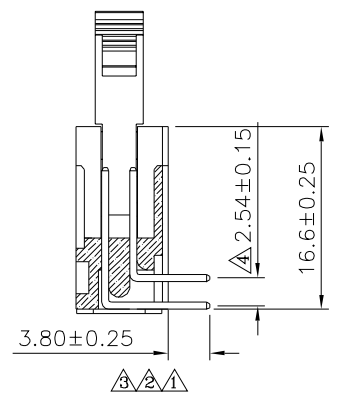
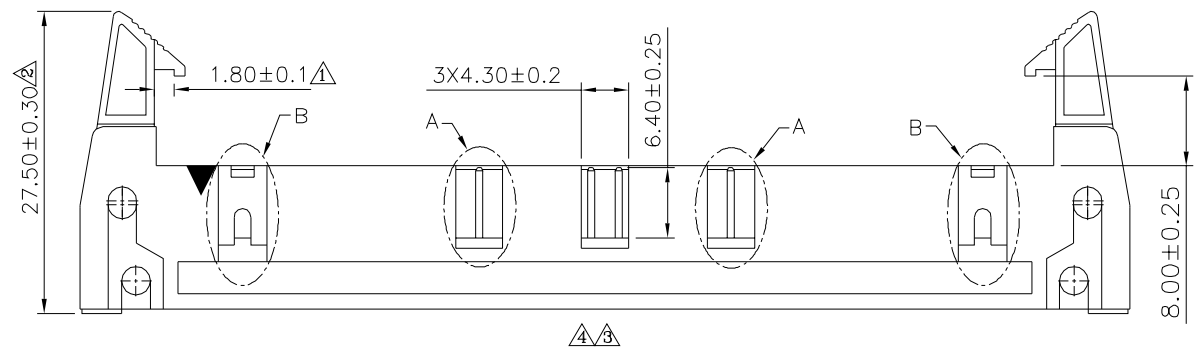
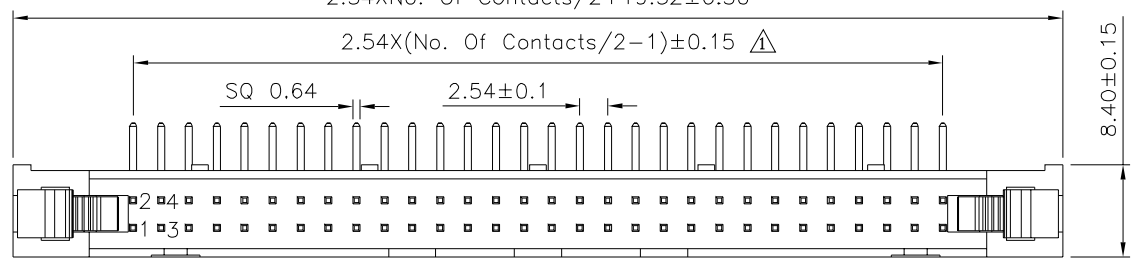
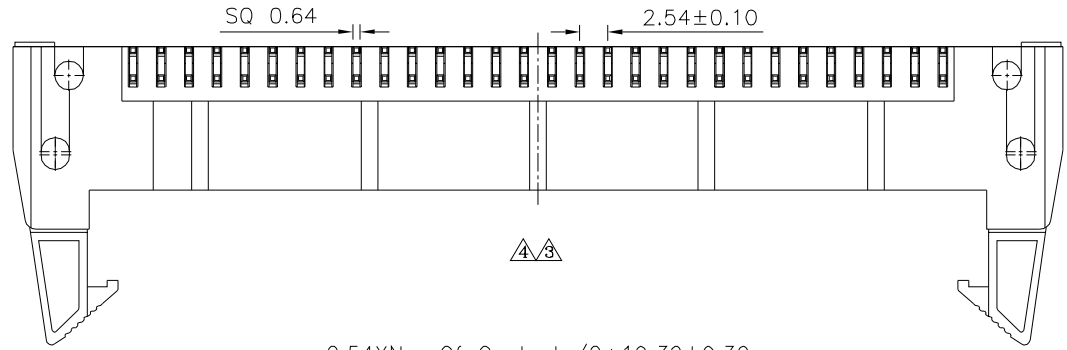


Recommended P.C.B. Layout (Top View)  
(PCB Board Tolerance ±0.05)



**△ SPECIFICATION**  
 Current Rating: 3 Amps  
 Withstand Voltage: 1000V AC  
 Contact Resistance: 20 Milliohms Max.  
 Insulation Resistance: 1000 Megaohms Min.  
 Operation Temperature: -40°C ~ +105°C  
 Insulator: PBT (UL94V-0), Black  
 Contact: Brass, Gold Flash Over Nickel  
 Only 60P~64P With Slot "A"  
 Less Than 18 Pin Without Slot "B"  
 RoHS Compliant

**4UCON** 元化興業股份有限公司  
 4UCON TECHNOLOGY INC.

DRAWING No. △		APPROVED BY		UNLESS OTHERWISE SPECIFIED TOLERANCES ARE △ X. ±0.25 X.* ±2° △ .X ±0.20 .X* ±1.5° △ .XX ±0.15 .XX* ±1° △ .XXX ±0.10 .XXX* ±0.5° UNIT mm	△ A4	Modify Data	HZF	05/29/2015
03844		EMILY			△ A3	Modify Data	HZF	04/22/2015
SCALE NONE		CHECKED BY HZF			△ A2	Modify Data	HZF	03/06/2014
REV. A4		DRAWING BY CYP		△ A1	Modify Data	HZF	01/11/2013	
				△ A0	NEW RELEASE	HZF	09/15/2010	
				NO. REV.	REVISIONS	CHK	DATE	