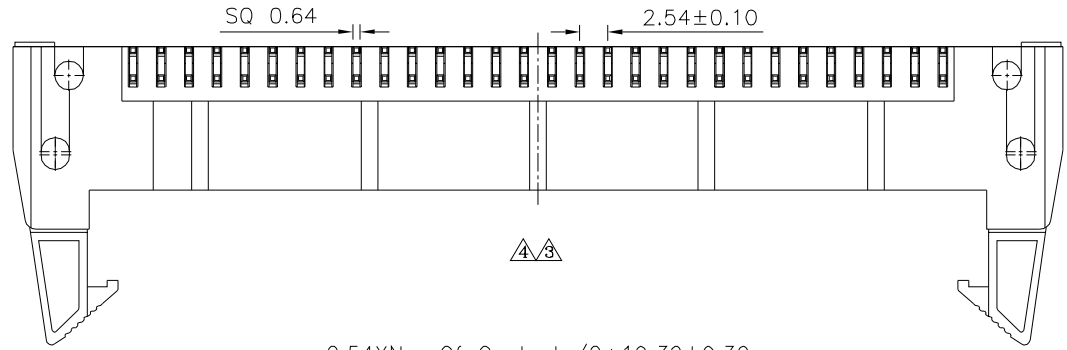
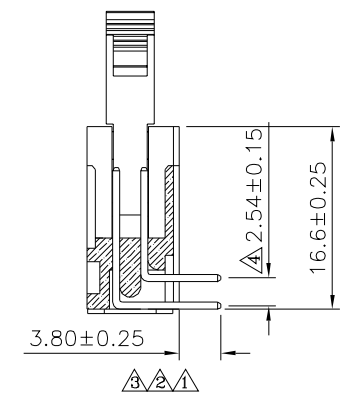
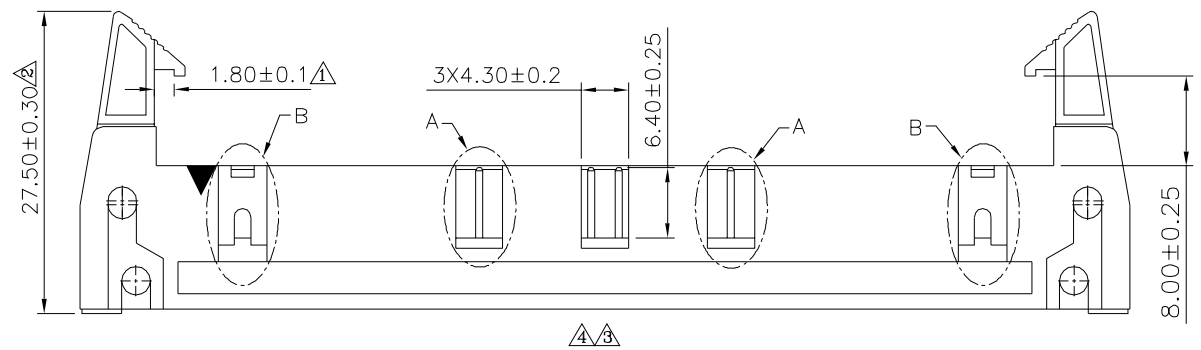
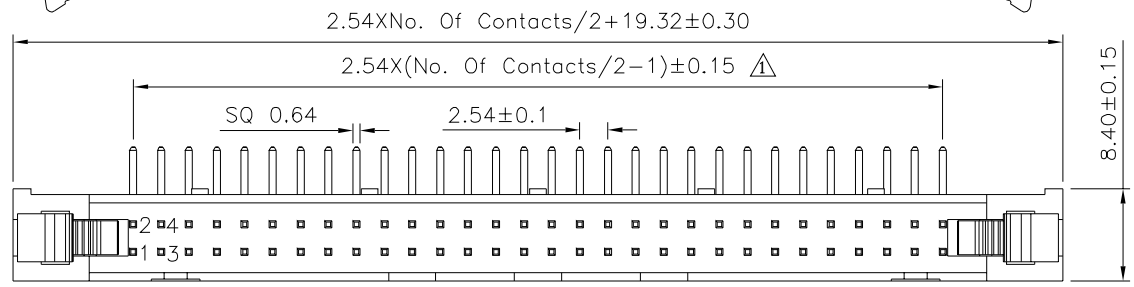


Recommended P.C.B. Layout(Top View)
(PCB Board Tolerance ± 0.05)



△ SPECIFICATION
 Current Rating:3 Amps
 Withstand Voltage:1000V AC
 Contact Resistance:20 Milliohms Max.
 Insulation Resistance:1000 Megaohms Min.
 Operation Temperature:-40°C~+105°C
 Insulator:PBT(UL94V-0),Black
 Contact:Brass,Gold Flash Over Nickel
 Only 60P~64P With Slot "A"
 Less Than 18 Pin Without Slot "B"
 RoHS Compliant



4UCON 元化興業股份有限公司
4UCON TECHNOLOGY INC.

DRAWING No. △		APPROVED BY		UNLESS OTHERWISE SPECIFIED TOLERANCES ARE △ X. ± 0.25 X.* $\pm 2^{\circ}$ △ .X ± 0.20 .X* $\pm 1.5^{\circ}$ △ .XX ± 0.15 .XX* $\pm 1^{\circ}$ △ .XXX ± 0.10 .XXX* $\pm 0.5^{\circ}$	△ A4	Modify Data	HZF	05/29/2015	
03852		EMILY			△ A3	Modify Data	HZF	04/22/2015	
		CHECKED BY			△ A2	Modify Data	HZF	03/06/2014	
SCALE		NONE		DRAWING BY		△ A1	Modify Data	HZF	01/11/2013
REV.		A4		CYP		△ A0	NEW RELEASE	HZF	09/15/2010
UNIT		mm		NO. REV.		REVISIONS		CHK	DATE

SCALE		NONE		DRAWING BY		△ A4	Modify Data	HZF	05/29/2015
REV.		A4		CYP		△ A3	Modify Data	HZF	04/22/2015
UNIT		mm		NO. REV.		△ A2	Modify Data	HZF	03/06/2014
REV.		A4		CYP		△ A1	Modify Data	HZF	01/11/2013
UNIT		mm		NO. REV.		△ A0	NEW RELEASE	HZF	09/15/2010
REV.		A4		CYP		REVISIONS		CHK	DATE