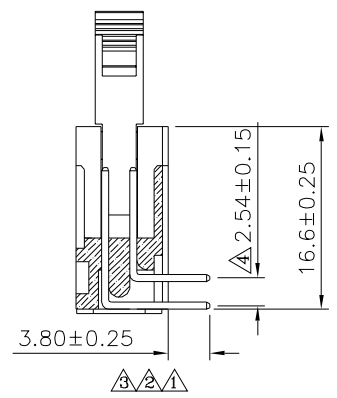
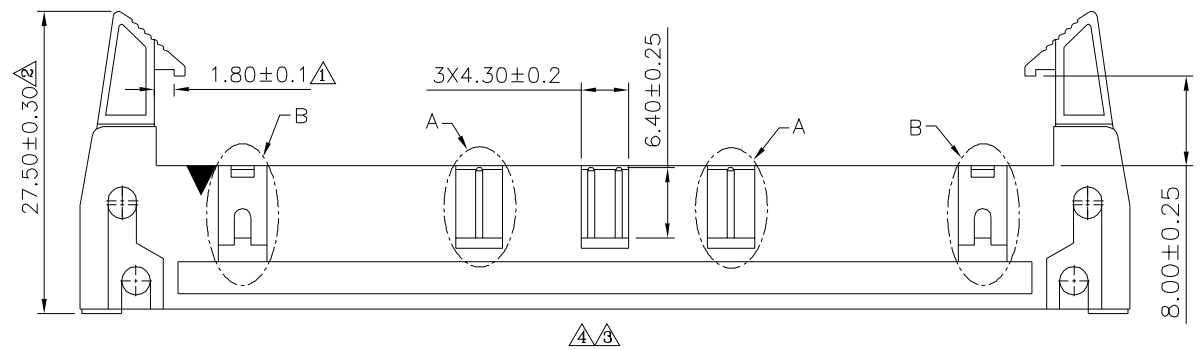
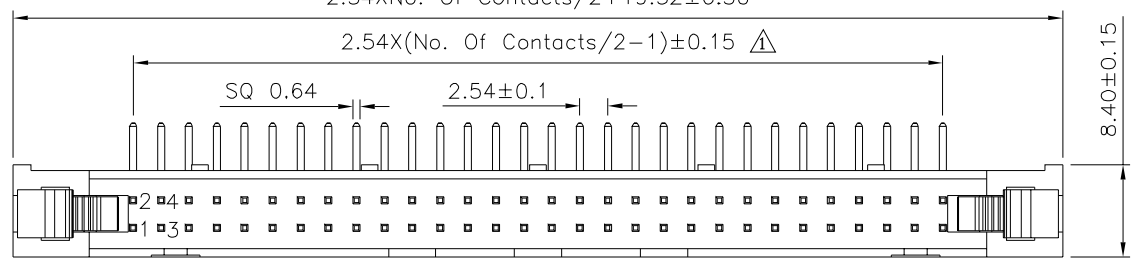
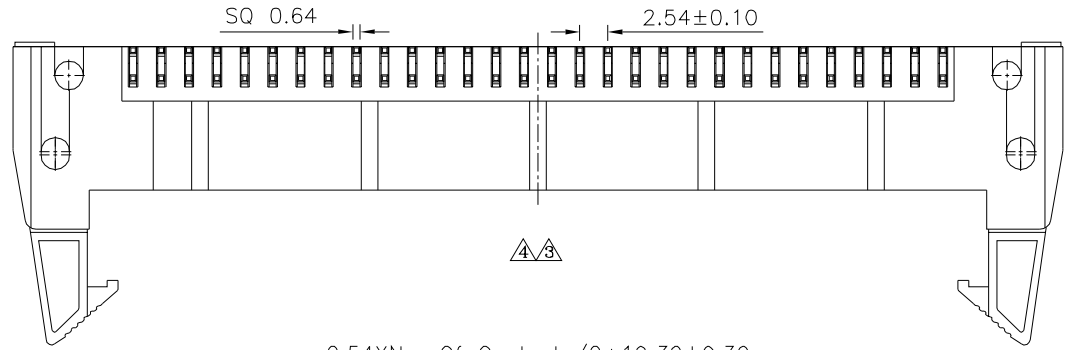


Recommended P.C.B. Layout(Top View)  
(PCB Board Tolerance $\pm 0.05$ )



**△ SPECIFICATION**  
 Current Rating:3 Amps  
 Withstand Voltage:1000V AC  
 Contact Resistance:20 Milliohms Max.  
 Insulation Resistance:1000 Megaohms Min.  
 Operation Temperature:-40°C~+105°C  
 Insulator:PBT(UL94V-0),Black  
 Contact:Brass,Gold Flash Over Nickel  
 Only 60P~64P With Slot "A"  
 Less Than 18 Pin Without Slot "B"  
 RoHS Compliant

**4UCON** 元化興業股份有限公司  
 4UCON TECHNOLOGY INC.

DRAWING No. <b>03862</b>		APPROVED BY EMILY	UNLESS OTHERWISE SPECIFIED TOLERANCES ARE $\Delta$ X. $\pm 0.25$ X.* $\pm 2^\circ$ $\Delta$ .X $\pm 0.20$ .X* $\pm 1.5^\circ$ $\Delta$ .XX $\pm 0.15$ .XX* $\pm 1^\circ$ $\Delta$ .XXX $\pm 0.10$ .XXX* $\pm 0.5^\circ$	$\Delta$ A4	Modify Data	HZF	05/29/2015
		CHECKED BY HZF		$\Delta$ A3	Modify Data	HZF	04/22/2015
		DRAWING BY CYP		$\Delta$ A2	Modify Data	HZF	03/06/2014
SCALE	NONE	REV.	A4	$\Delta$ A1	Modify Data	HZF	01/11/2013
				$\Delta$ A0	NEW RELEASE	HZF	09/15/2010
				NO.REV.	REVISIONS	CHK	DATE

UNIT	mm						
NO.	REV.	REVISIONS	CHK	DATE			