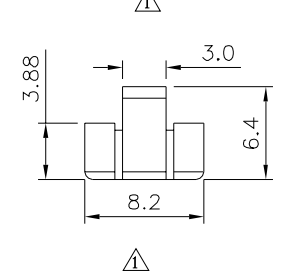
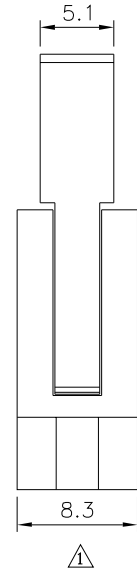
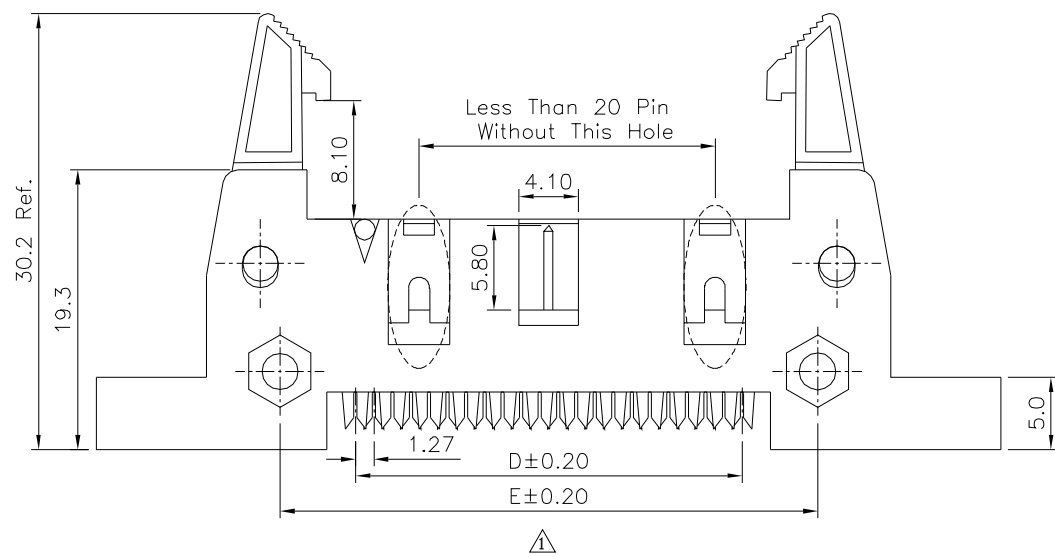
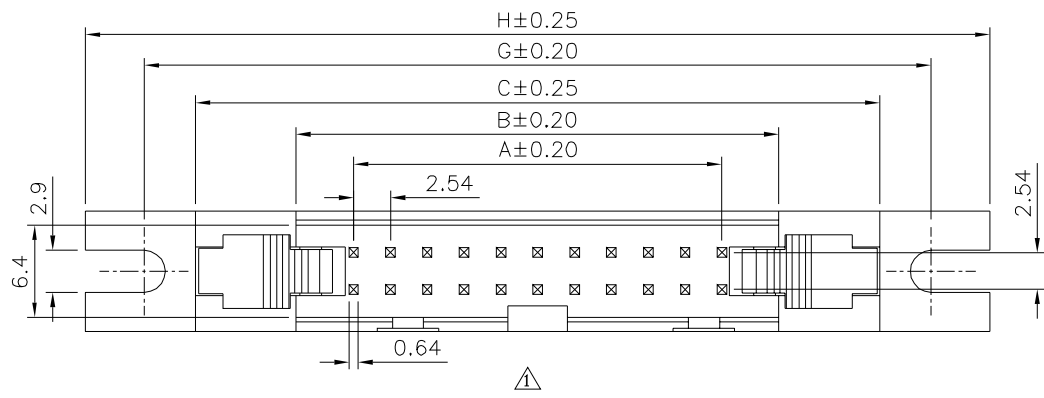


SPECIFICATION

Current Rating:3 Amp
 Withstand Voltage:1000V AC
 Contact Resistance:20 Milliohms Max.
 Insulation Resistance:1000 Megaohms Min.
 Operation Temperature:-40°C~+105°C
 Insulator:PBT(UL94V-0),Black
 Contact:Brass,Gold Flash Over Nickel
 RoHS Compliant



Pin	A	B	C	D	E	F	G	H
10	10.16	18.10	32.00	11.43	21.86	15.42	39.10	47.20
14	15.24	23.18	37.08	16.51	26.94	20.50	44.18	52.28
16	17.78	25.72	39.62	19.05	29.48	23.04	46.72	54.82
20	22.86	30.80	44.70	24.13	34.56	28.12	51.80	59.90
24	27.94	35.88	49.78	29.21	39.64	33.20	56.88	64.98
26	30.48	38.42	52.32	31.75	42.18	35.74	59.42	67.52
30	35.56	43.50	57.40	36.83	47.26	40.82	64.50	72.60
34	40.64	48.58	62.48	41.91	52.34	45.90	69.58	77.68
40	48.26	56.20	70.10	49.53	59.96	53.52	77.20	85.30
50	60.96	68.90	82.80	62.23	72.66	66.22	89.90	98.00
60	73.66	81.60	95.50	74.93	85.36	78.92	102.60	110.70
64	78.74	86.68	100.58	80.01	90.44	84.00	107.68	115.78

4UCON 元化興業股份有限公司
 4UCON TECHNOLOGY INC.

DRAWING No.		APPROVED BY		UNLESS OTHERWISE SPECIFIED TOLERANCES ARE .X ±0.30 .XX ±0.20 ANG.
03905		MEI		
		CHECKED BY		
		HZF		
		DRAWING BY		
		CYP		
SCALE	NONE	REV.	A1	UNIT
				mm

NO.	REV.	REVISIONS	CHK	DATE
△A1		Modify Data	HZF	09/14/2018
△A0		NEW RELEASE	HZF	02/16/2016