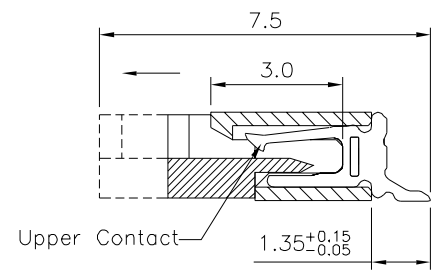
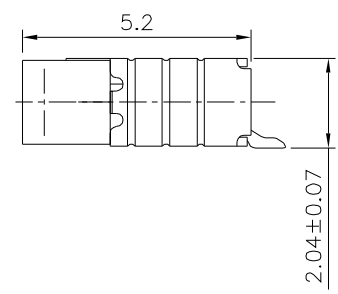
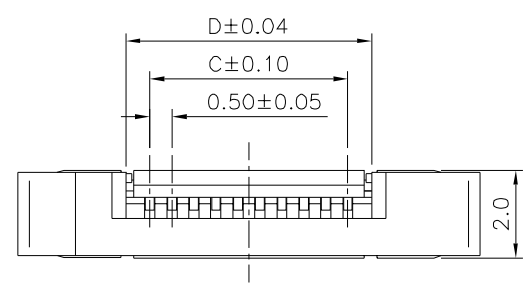
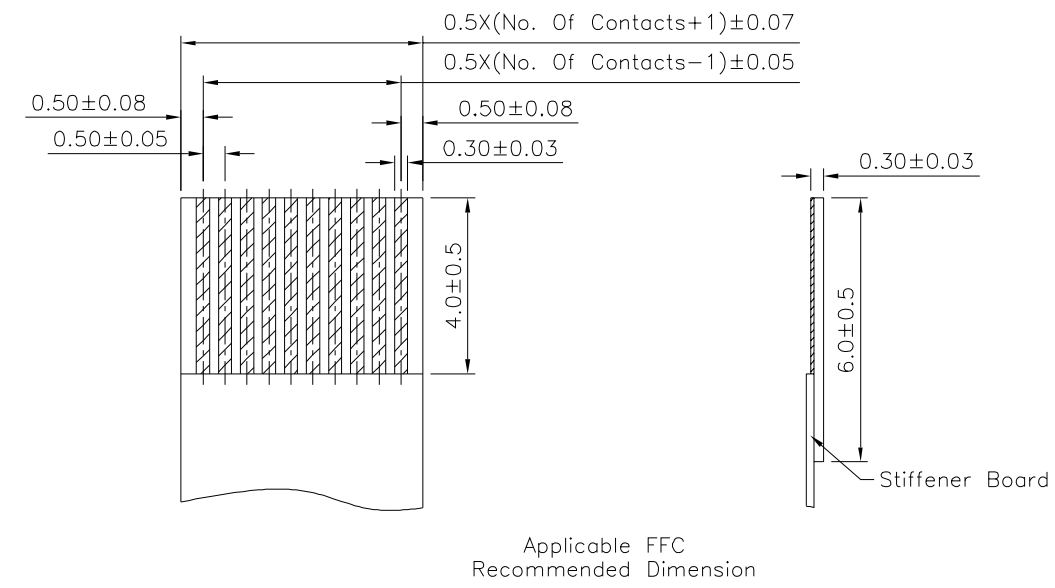
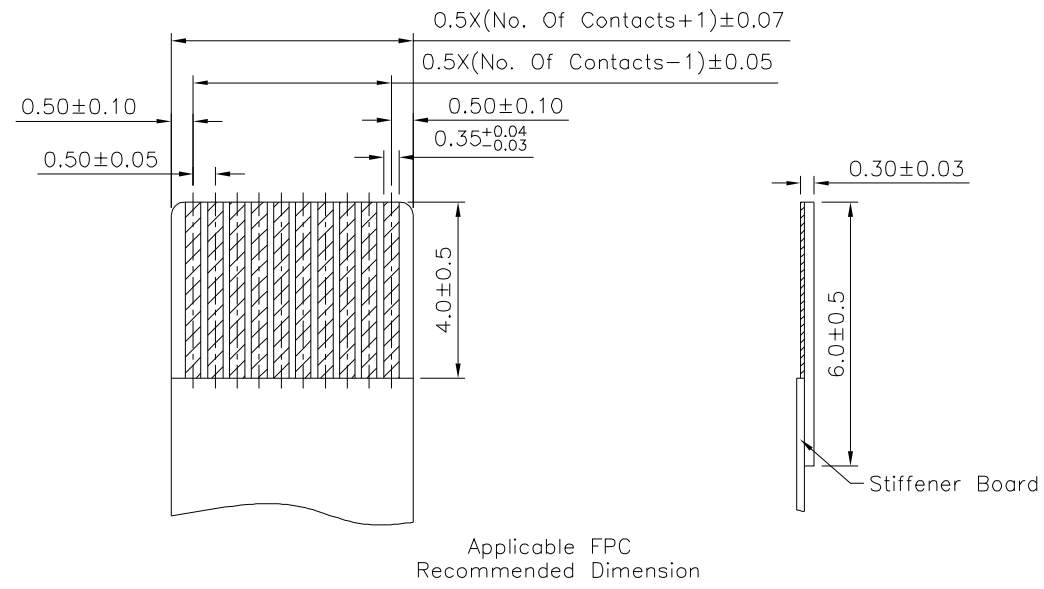


▨ Solder Area



**4UCON** 元化興業股份有限公司  
4UCON TECHNOLOGY INC.

DRAWING No.		APPROVED BY		UNLESS OTHERWISE SPECIFIED TOLERANCES ARE .X ±0.35 .XX ±0.20				
03964		MEI						
		CHECKED BY						
		HZF						
		DRAWING BY						
		CYP						
SCALE	NONE	REV.	D1	UNIT	mm			
					NO.	REV.	REVISIONS	DATE
					△ D1	Modify Data	HZF	02/24/2016
					△ D0	NEW RELEASE	HZF	01/21/2015



Pin	A	B	C	D	Pin	A	B	C	D
4	6.20	7.50	1.50	2.62	33	20.70	22.00	16.00	17.12
5	6.70	8.00	2.00	3.12	34	21.20	22.50	16.50	17.62
6	7.20	8.50	2.50	3.62	35	21.70	23.00	17.00	18.12
7	7.70	9.00	3.00	4.12	36	22.20	23.50	17.50	18.62
8	8.20	9.50	3.50	4.62	37	22.70	24.00	18.00	19.12
9	8.70	10.00	4.00	5.12	38	23.20	24.50	18.50	19.62
10	9.20	10.50	4.50	5.62	39	23.70	25.00	19.00	20.12
11	9.70	11.00	5.00	6.12	40	24.20	25.50	19.50	20.62
12	10.20	11.50	5.50	6.62	41	24.70	26.00	20.00	21.12
13	10.70	12.00	6.00	7.12	42	25.20	26.50	20.50	21.62
14	11.20	12.50	6.50	7.62	43	25.70	27.00	21.00	22.12
15	11.70	13.00	7.00	8.12	44	26.20	27.50	21.50	22.62
16	12.20	13.50	7.50	8.62	45	26.70	28.00	22.00	23.12
17	12.70	14.00	8.00	9.12	46	27.20	28.50	22.50	23.62
18	13.20	14.50	8.50	9.62	47	27.70	29.00	23.00	24.12
19	13.70	15.00	9.00	10.12	48	28.20	29.50	23.50	24.62
20	14.20	15.50	9.50	10.62	49	28.70	30.00	24.00	25.12
21	14.70	16.00	10.00	11.12	50	29.20	30.50	24.50	25.62
22	15.20	16.50	10.50	11.62	51	29.70	31.00	25.00	26.12
23	15.70	17.00	11.00	12.12	52	30.20	31.50	25.50	26.62
24	16.20	17.50	11.50	12.62	53	30.70	32.00	26.00	27.12
25	16.70	18.00	12.00	13.12	54	31.20	32.50	26.50	27.62
26	17.20	18.50	12.50	13.62	55	31.70	33.00	27.00	28.12
27	17.70	19.00	13.00	14.12	56	32.20	33.50	27.50	28.62
28	18.20	19.50	13.50	14.62	57	32.70	34.00	28.00	29.12
29	18.70	20.00	14.00	15.12	58	33.20	34.50	28.50	29.62
30	19.20	20.50	14.50	15.62	59	33.70	35.00	29.00	30.12
31	19.70	21.00	15.00	16.12	60	34.20	35.50	29.50	30.62
32	20.20	21.50	15.50	16.62					

**4UCON** 元化興業股份有限公司  
4UCON TECHNOLOGY INC.

DRAWING No.		APPROVED BY		UNLESS OTHERWISE SPECIFIED TOLERANCES ARE .X ±0.35 .XX ±0.20
03964		MEI		
		CHECKED BY HZF		
SCALE NONE		DRAWING BY CYP		UNIT mm
REV.	D1			

NO.	REV.	REVISIONS	CHK	DATE
△1	D1	Modify Data	HZF	02/24/2016
△0	DO	NEW RELEASE	HZF	01/21/2015