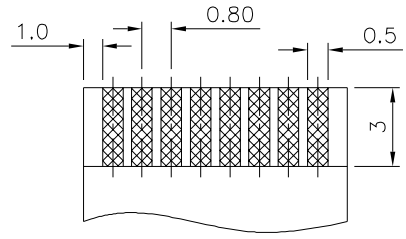
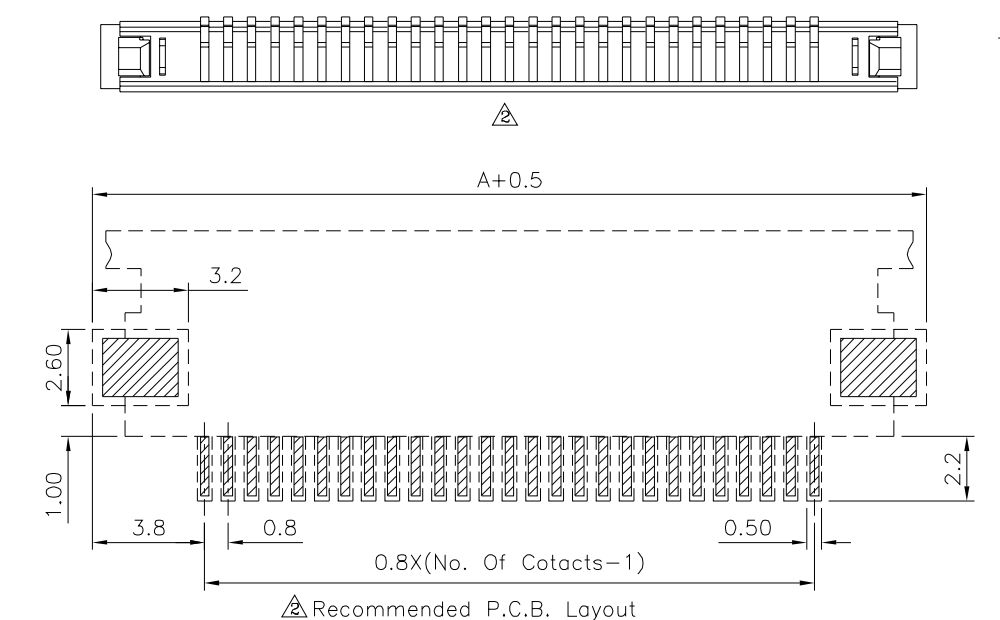
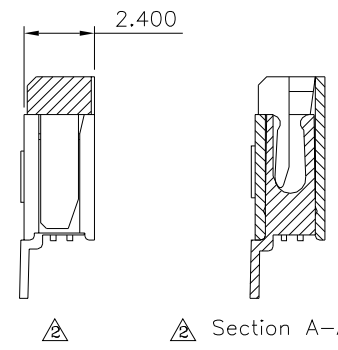
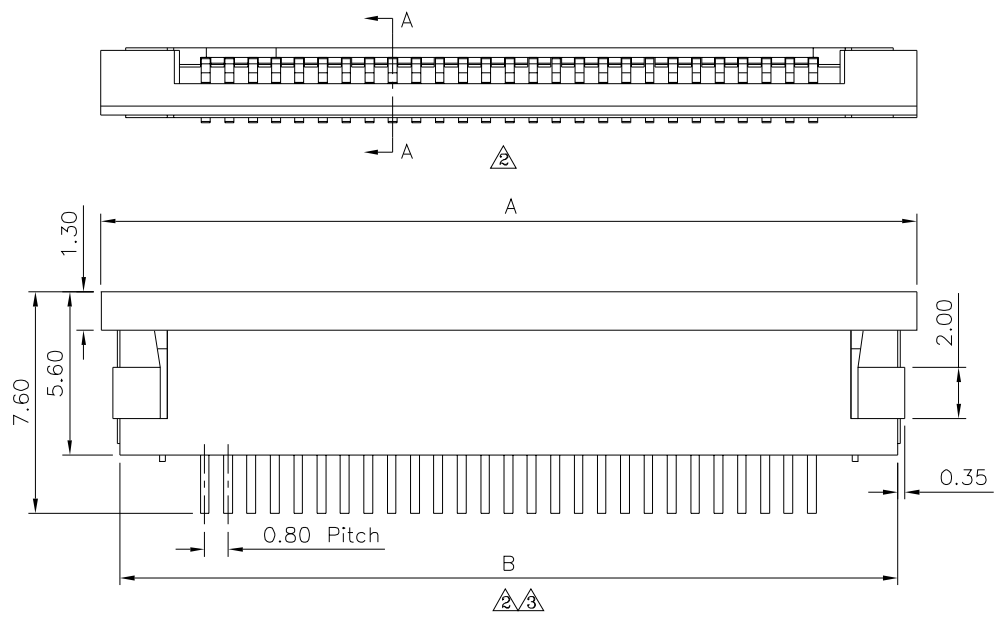
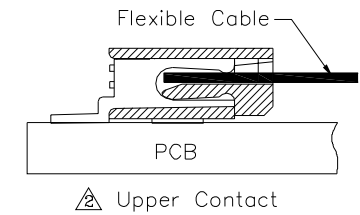


3.2.1 SPECIFICATION

- 1. General Characteristics
0.8mm FPC XFP SMT 90° ZIF Upper Contact
- 2. Material & Finish
Latch: PA46(UL94V-0), Black
Housing: LCP(UL94V-0), Nature
Contact: Phosphor Bronze, Tin Plated Over Nickel
- 3. Electrical Characteristics
Current Rating: 0.5 Amp AC/DC
Voltage Rating: 50V AC/DC
Contact Resistance: 20 Milliohms Max.
Insulation Resistance: 500 Megohms Min. @500V DC
- 4. Environmental Characteristics
Operation Temperature: -40°C~+105°C
- 5. RoHS Compliant



FPC/FPC Dimension
Thickness: 0.300^{+0.05}/_{-0.03} mm



| Pin | A | B | Pin | A | B |
|-----|-------|-------|-----|-------|-------|
| 04 | 9.50 | 8.20 | 19 | 21.50 | 20.20 |
| 05 | 10.30 | 9.00 | 20 | 22.30 | 21.00 |
| 06 | 11.10 | 9.80 | *21 | 23.10 | 21.80 |
| 07 | 11.90 | 10.60 | *22 | 23.90 | 22.60 |
| *08 | 12.70 | 11.40 | *23 | 24.70 | 23.40 |
| *09 | 13.50 | 12.20 | 24 | 25.50 | 24.20 |
| *10 | 14.30 | 13.00 | *25 | 26.30 | 25.00 |
| 11 | 15.10 | 13.80 | *26 | 27.10 | 25.80 |
| *12 | 15.90 | 14.60 | *27 | 27.90 | 26.60 |
| 13 | 16.70 | 15.40 | *28 | 28.70 | 27.40 |
| *14 | 17.50 | 16.20 | 29 | 29.50 | 28.20 |
| 15 | 18.30 | 17.00 | *30 | 30.30 | 29.00 |
| 16 | 19.10 | 17.80 | 31 | 31.10 | 29.80 |
| 17 | 19.90 | 18.60 | 32 | 31.90 | 30.60 |
| *18 | 20.70 | 19.40 | | | |

The Mark Of "*" Are Toolled Already

4UCON 元化興業股份有限公司
4UCON TECHNOLOGY INC.

| | | | | |
|-------------|------|-------------|----|--|
| DRAWING No. | | APPROVED BY | | UNLESS OTHERWISE SPECIFIED TOLERANCES ARE .X ±0.25 .XX ±0.20 .XXX ±0.10 ANG. ±2° |
| 04031 | | EMILY | | |
| | | CHECKED BY | | |
| | | HZF | | |
| | | DRAWING BY | | UNIT mm |
| | | HAO | | |
| SCALE | NONE | REV. | B3 | |

| NO. | REV. | REVISIONS | CHK | DATE |
|-----|------|-------------|-----|------------|
| 3 | B3 | Modify Data | HZF | 05/05/2015 |
| 2 | B2 | Modify Data | HZF | 03/06/2013 |
| 1 | B1 | Modify Data | HZF | 07/29/2011 |
| 0 | B0 | NEW RELEASE | HZF | 05/16/2009 |