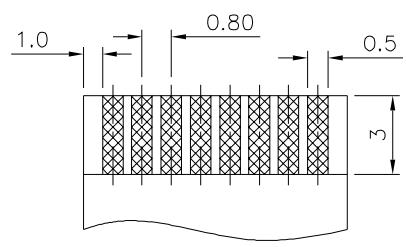
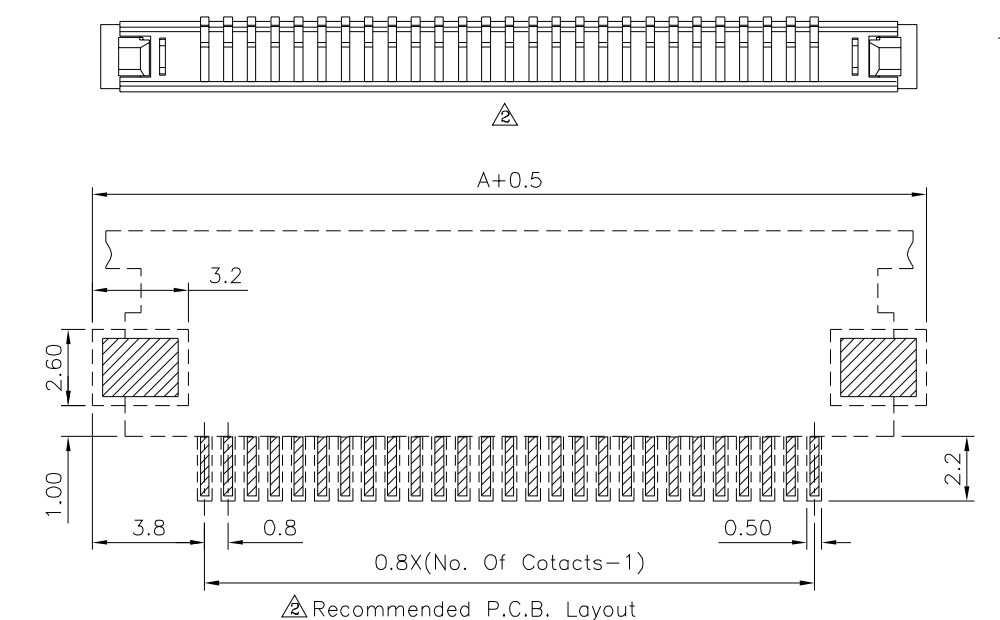
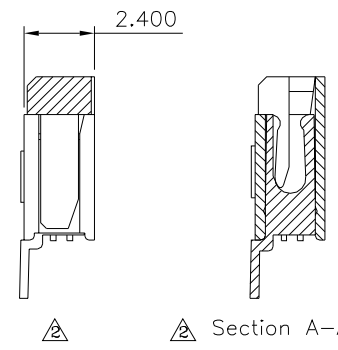
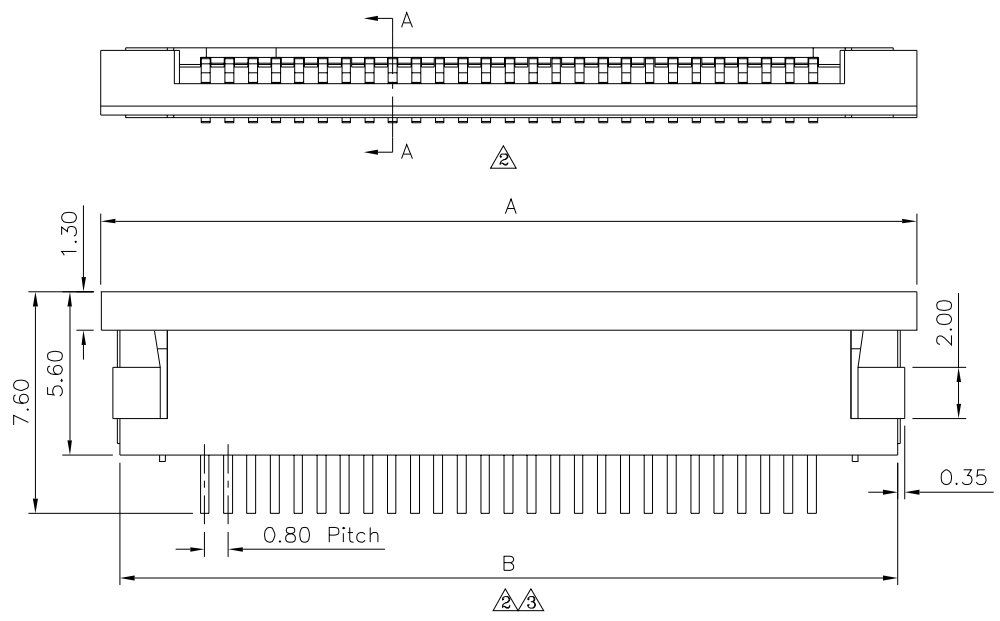
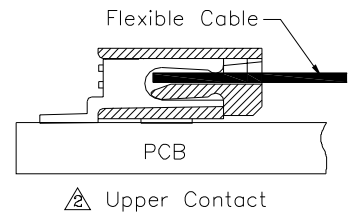


3.2.1 SPECIFICATION

- 1. General Characteristics
0.8mm FPC XXP SMT 90° ZIF Upper Contact
- 2. Material & Finish
Latch: PA46(UL94V-0), Black
Housing: LCP(UL94V-0), Nature
Contact: Phosphor Bronze, Tin Plated Over Nickel
- 3. Electrical Characteristics
Current Rating: 0.5 Amp AC/DC
Voltage Rating: 50V AC/DC
Contact Resistance: 20 Milliohms Max.
Insulation Resistance: 500 Megohms Min. @500V DC
- 4. Environmental Characteristics
Operation Temperature: -40°C~+105°C
- 5. RoHS Compliant



FPC/FPC Dimension
Thickness: 0.300 \pm 0.05 / -0.03 mm



Pin	A	B	Pin	A	B
04	9.50	8.20	19	21.50	20.20
05	10.30	9.00	20	22.30	21.00
06	11.10	9.80	*21	23.10	21.80
07	11.90	10.60	*22	23.90	22.60
*08	12.70	11.40	*23	24.70	23.40
*09	13.50	12.20	24	25.50	24.20
*10	14.30	13.00	*25	26.30	25.00
11	15.10	13.80	*26	27.10	25.80
*12	15.90	14.60	*27	27.90	26.60
13	16.70	15.40	*28	28.70	27.40
*14	17.50	16.20	29	29.50	28.20
15	18.30	17.00	*30	30.30	29.00
16	19.10	17.80	31	31.10	29.80
17	19.90	18.60	32	31.90	30.60
*18	20.70	19.40			

The Mark Of "*" Are Tooled Already

4UCON 元化興業股份有限公司
4UCON TECHNOLOGY INC.

DRAWING No.		APPROVED BY		UNLESS OTHERWISE SPECIFIED TOLERANCES ARE .X \pm 0.25 .XX \pm 0.20 .XXX \pm 0.10 ANG. \pm 2°
04037		EMILY		
SCALE		CHECKED BY		
NONE		HZF		
REV.		DRAWING BY		UNIT mm
B3		HAO		
REV.		B3		NO. REV.
REV.		B3		

NO. REV.	REVISIONS	CHK	DATE
B3	Modify Data	HZF	05/05/2015
B2	Modify Data	HZF	03/06/2013
B1	Modify Data	HZF	07/29/2011
B0	NEW RELEASE	HZF	05/16/2009