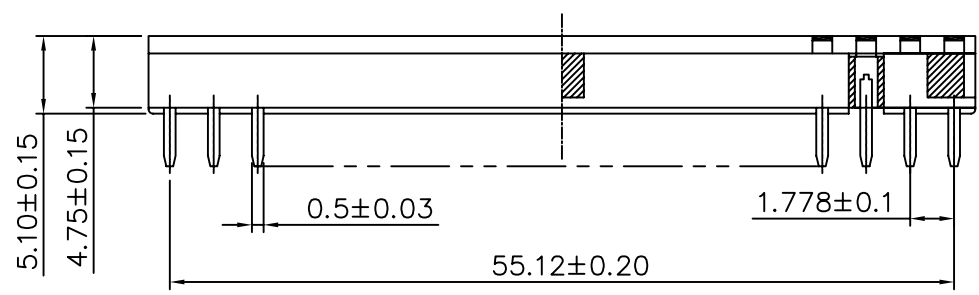
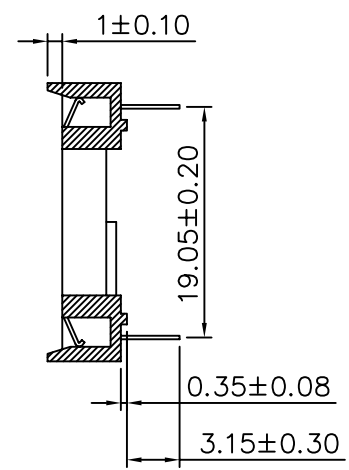
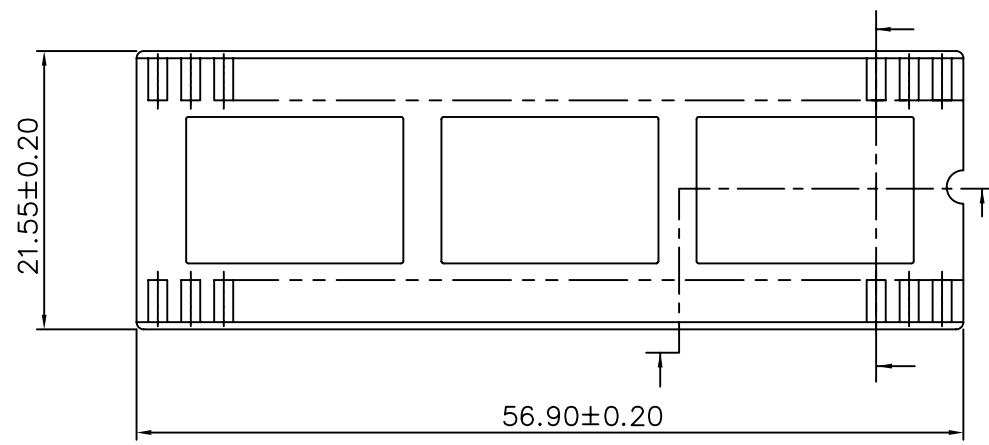


**SPECIFICATIONS**  
 Current Rating: 1A  
 Dielectric Withstanding Voltage: 1000V RMS/Minute  
 Contact Resistance: 20 Milliohms Initial  
 30 Milliohms After Test  
 Insulation Resistance: 5000 Megohms Min.  
 Operating Temperature: -25°C To +85°C  
 Insertion Force: 340g Max. Per Contact.  
 Withdrawal Force: 14.5g Min. Per Contact  
 Contact Material: Phosphor Bronze, Thickness 0.17mm  
 Contact Plating: Tin Plated  
 Insulator: PBT, UL 94V-0



**4UCON** 元化興業股份有限公司  
 4UCON TECHNOLOGY INC.

DRAWING No.  
 04760

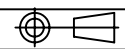
APPROVED BY MEI  
 CHECKED BY BECKY  
 DRAWING BY HZF

UNLESS OTHERWISE SPECIFIED  
 TOLERANCES ARE  
 .X ±0.38  
 .XX ±0.25  
 ANG.  
 UNIT mm

NO.	REV.	REVISIONS	CHK	DATE
△	A0	NEW RELEASE	BECKY	2004/07/19

SCALE NONE

REV. A0



NO.

REVISIONS

CHK

DATE