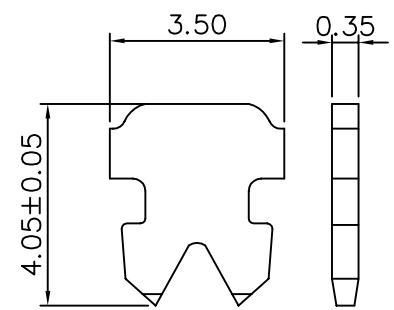
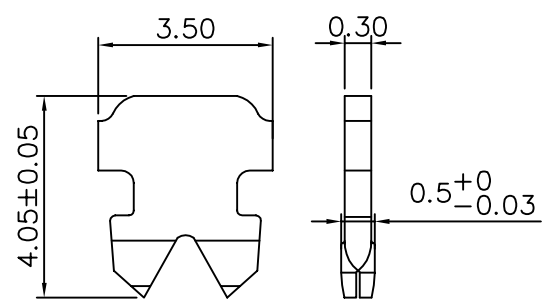
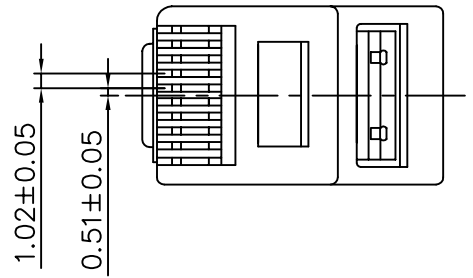


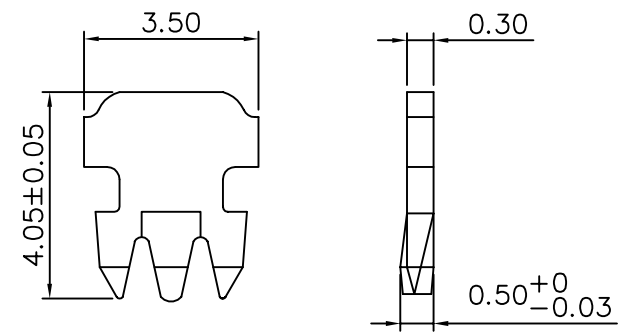
SPECIFICATIONS:
 Insulator : Polycarbonate,UL 94V-2
 Contact: Copper Alloy,Gold Plated 6u"



2 Prongs For Stranded Wire



2 Prongs For Solid Wire



3 Prongs For Solid Wire

4UCON 元化興業股份有限公司
 4UCON TECHNOLOGY INC.

DRAWING No.		APPROVED BY		UNLESS OTHERWISE SPECIFIED TOLERANCES ARE
04822		MEI		
		RAN		
		DRAWING BY		.X ±0.38
		HZF		.XX ±0.25
		UNIT		AWG.
SCALE	NONE	REV.	A	mm

AREA	REVISIONS	CHK	DATE