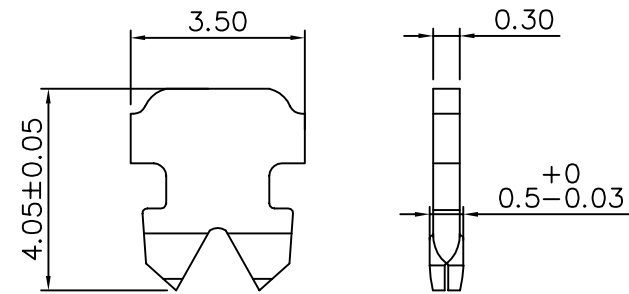
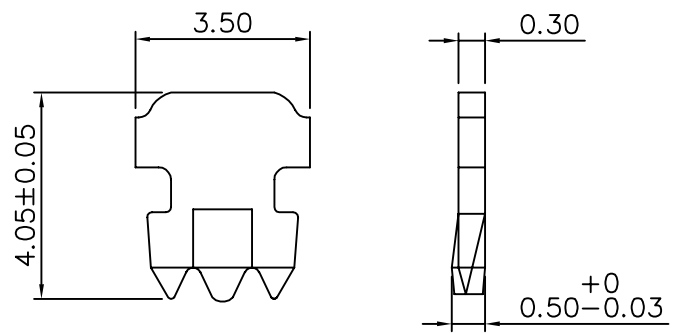


1. Prongs For Stranded Wire



2. Prongs For Solid Wire (SS)



3. Prongs For Solid Wire (S)

SPECIFICATIONS:
 Insulator : Polycarbonate,
 UL 94V-2
 Contact: Copper Alloy,
 Gold Flash All Over

4UCON 元化興業股份有限公司
 4UCON TECHNOLOGY INC.

DRAWING No.
 04826

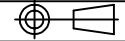
APPROVED BY MEI
 CHECKED BY RAN
 DRAWING BY HZF

UNLESS OTHERWISE SPECIFIED TOLERANCES ARE
 .X ±0.38
 .XX ±0.25
 .XXX

SCALE NONE

REV. A

UNIT mm



AREA	REVISIONS	CHK	DATE