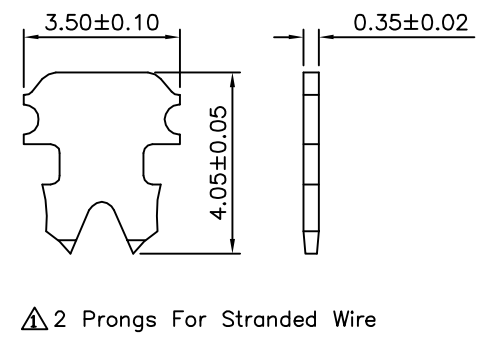
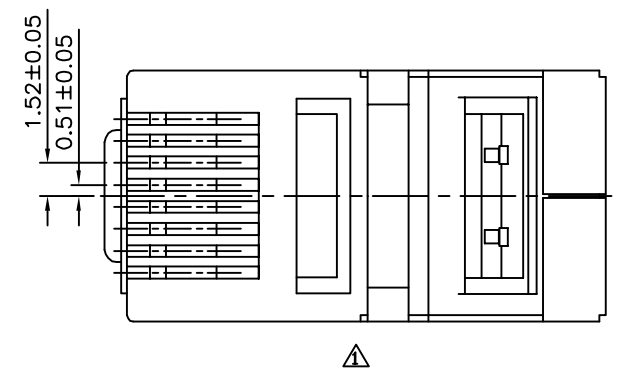
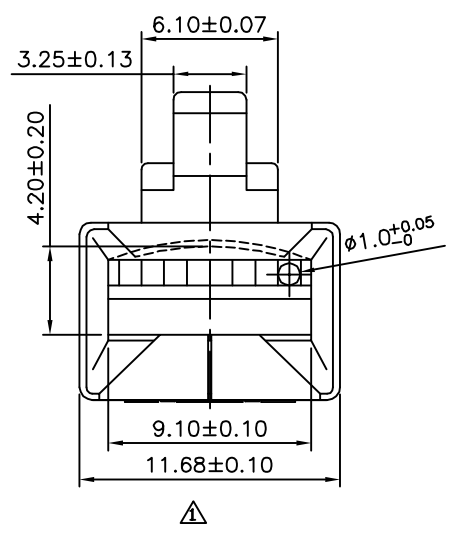
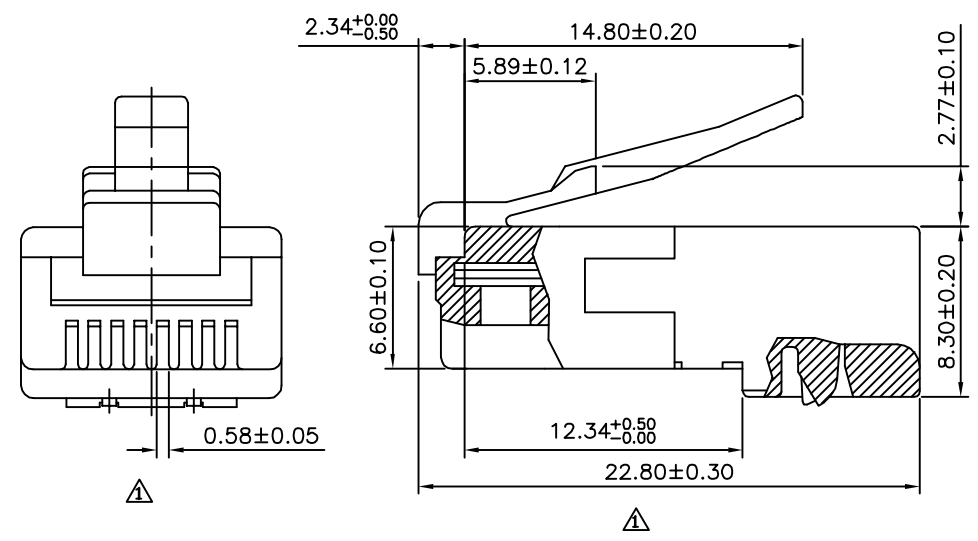


△ SPECIFICATION
 Housing:PC(UL94V-2)
 Contact:Phosphor Bronze
 Gold Flash Over Nickel
 Available For 24 Or 26 AWG Wire
 Shield:Brass,Nickel Plated
 RoHS Compliant



4UCON 元化興業股份有限公司
 4UCON TECHNOLOGY INC.

DRAWING No.		APPROVED BY		UNLESS OTHERWISE SPECIFIED TOLERANCES ARE .X ±0.38 .XX ±0.25 ANG.
04857		MEI		
		HZF		
		DRAWING BY		UNIT mm
		WSS		
SCALE	NONE	REV.	A1	

NO.	REV.	REVISIONS	CHK	DATE
△ A1		Modify Data	HZF	04/08/2011
△ A0		NEW RELEASE	SHIN	06/07/2007