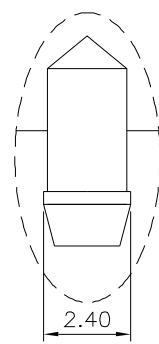
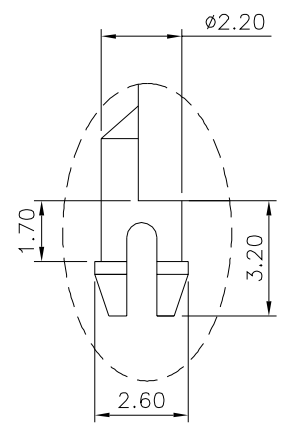
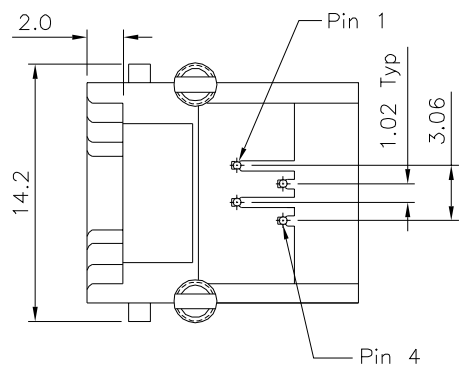
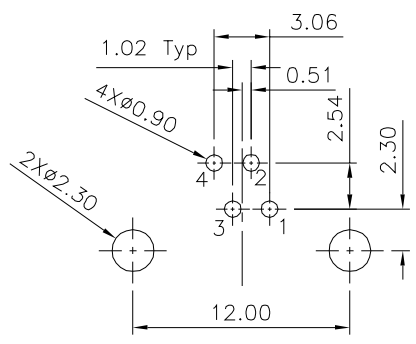


△△ SPECIFICATION
 Current Rating: 1.5A Max.
 Voltage Rating: 150V AC Max.
 Operating Temperature: -40°C ~ +85°C
 Relative Humidity: 70% ± 10% RH
 Insulation Resistance: 500 Megaohms Min. Initial
 At 500V DC
 Contact Resistance: 20 Milliohms Max. Initial
 30 Milliohms Max. Final
 Durability: 750 Cycles
 Dielectric Withstanding Voltage:
 1000V RMS. At 60Hz, 1 Minute Between
 Adjacent Contacts
 1500V RMS. At 60Hz, 1 Minute Between
 Shield And Contacts
 △ Housing: PBT+G.F.(UL94V-0), Gray
 Contact: Phosphor Bronze
 Gold Plated 06u" Over All, Over Nickel
 Cavity Conforms To FCC Rules And
 Regulations Part 68, Subpart F.
 RoHS Compliant



Recommended P.C.B. Layout
 △ Recommended PCB Thickness=1.6mm
 PCB Board Tolerance ±0.05 (Top Side)

4UCON 元化興業股份有限公司
 4UCON TECHNOLOGY INC.

DRAWING No. △		APPROVED BY		UNLESS OTHERWISE SPECIFIED TOLERANCES ARE	
04861		MEI		.X ±0.25	
		CHECKED BY		.XX ±0.13	
		HZF		.XXX ±0.05	
DRAWING BY		CYP		ANG.	
SCALE	NONE	REV.	A3	UNIT	mm

△ A3	Modify Data	HZF	01/12/2019
△ A2	Modify Data	HZF	03/31/2014
△ A1	Modify Data	HZF	08/23/2012
△ A0	NEW RELEASE	HZF	
NO. REV.	REVISIONS	CHK	DATE