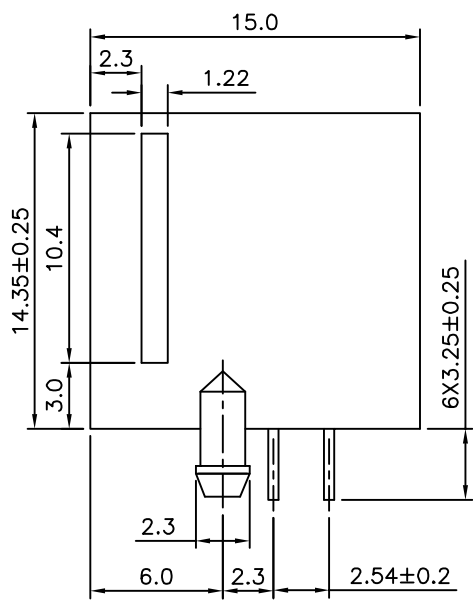
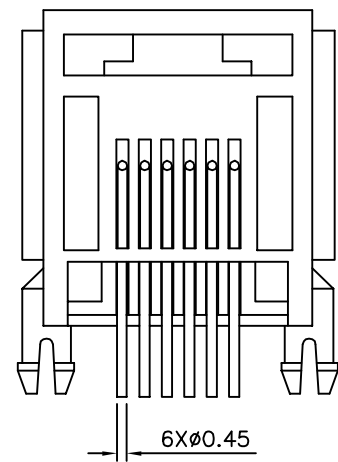


△△

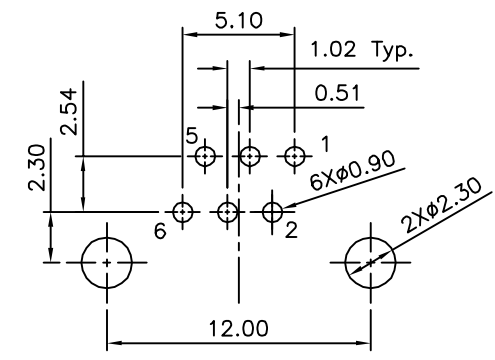


△△

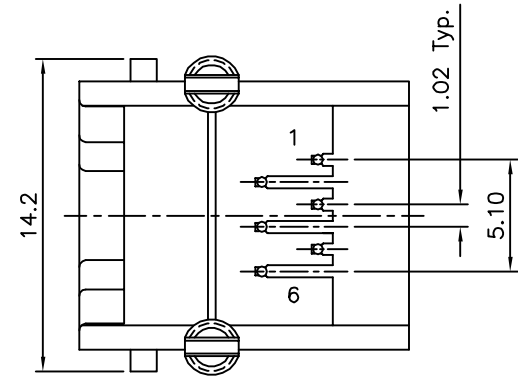


△

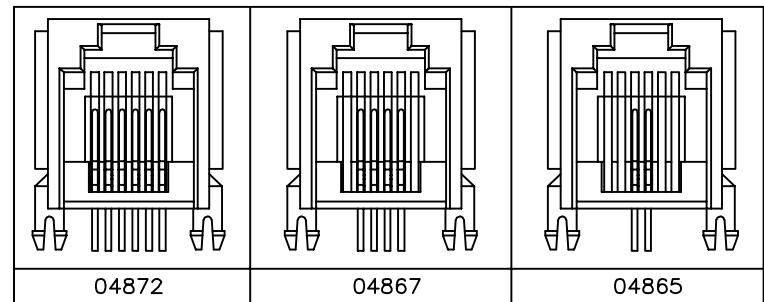
**△ SPECIFICATION**  
 Housing:PBT+G.F.(UL94V-0),Gray  
 Contacts:Phosphor Bronze  
 Gold Plated 6u" Over All,Over Nickel  
 Cavity Confirms To FCC Rules And Regulations  
 Part 68,Subpart F.  
 RoHS Compliant



△ Recommended P.C.B. Layout(Top View)  
 Recommended P.C.B. Thickness:1.6mm  
 Tolerance:±0.05



△



△

**4UCON** 元化興業股份有限公司  
 4UCON TECHNOLOGY INC.

DRAWING No.		APPROVED BY		UNLESS OTHERWISE SPECIFIED TOLERANCES ARE △△ .X ±0.25 .XX ±0.13 .XXX ±0.05
04867		MEI		
		CHECKED BY	HZF	
		DRAWING BY	SONG	
SCALE	NONE	REV.	A2	UNIT mm

NO.	REV.	REVISIONS	CHK	DATE
△A2		Modify Data	HZF	05/23/2013
△A1		Modify Data	HZF	04/08/2011
△A0		NEW RELEASE		