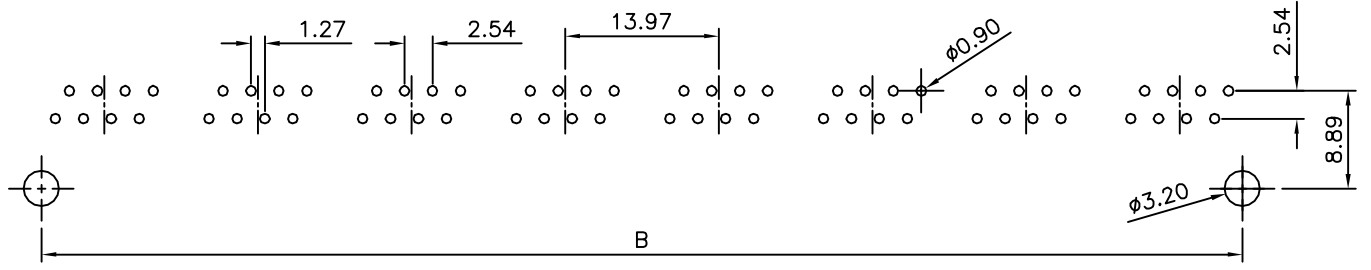
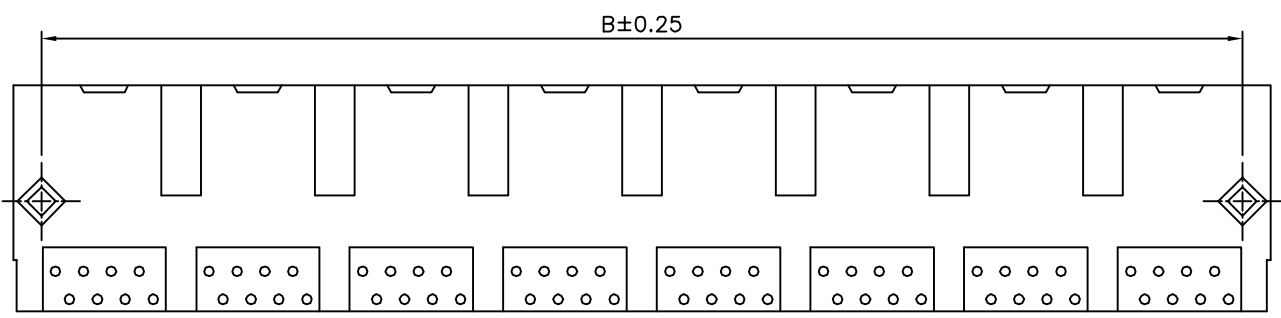
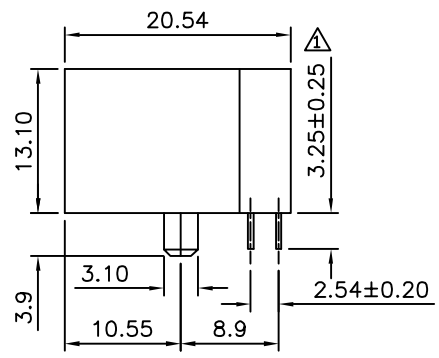
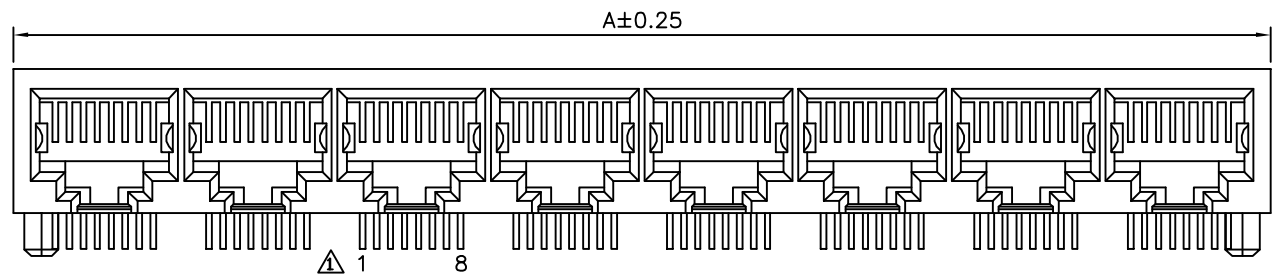


△ SPECIFICATION
 Housing:PBT+G.F.(UL94V-0),Black
 Contact:Phosphor Bronze
 Gold Plated 06u" Over Nickel
 Cavity Confirms To FCC Rules And Regulations
 Part 68,Subpart F.
 RoHS Compliant



Recommended P.C.B. Layout



| Port | A | B |
|------|--------|--------|
| 02 | 30.48 | 25.40 |
| 03 | 44.45 | 39.37 |
| 04 | 58.30 | 53.34 |
| 05 | 72.39 | 67.31 |
| 06 | 86.36 | 81.28 |
| 07 | 100.33 | 95.25 |
| 08 | 114.30 | 109.22 |
| 09 | 128.27 | 123.19 |
| 10 | 142.24 | 137.16 |
| 11 | 156.21 | 151.13 |
| 12 | 170.18 | 165.10 |

4UCON 元化興業股份有限公司
 4UCON TECHNOLOGY INC.

| | | | | |
|-------------|------|-------------|----|--|
| DRAWING No. | | APPROVED BY | | UNLESS OTHERWISE SPECIFIED TOLERANCES ARE .X ±0.25 .XX ±0.13 .XXX ±0.05 ANG. ±0.5° |
| 04953 | | EMILY | | |
| | | CHECKED BY | | |
| | | HZF | | |
| | | DRAWING BY | | UNIT mm |
| | | SONG | | |
| SCALE | NONE | REV. | A1 | |
| | | | | |

| | | | | |
|------|------|-------------|--------|------------|
| NO. | REV. | REVISIONS | CHK | DATE |
| △ A1 | | Modify Data | HZF | 08/25/2011 |
| △ A0 | | NEW RELEASE | INGRID | 09/03/2007 |