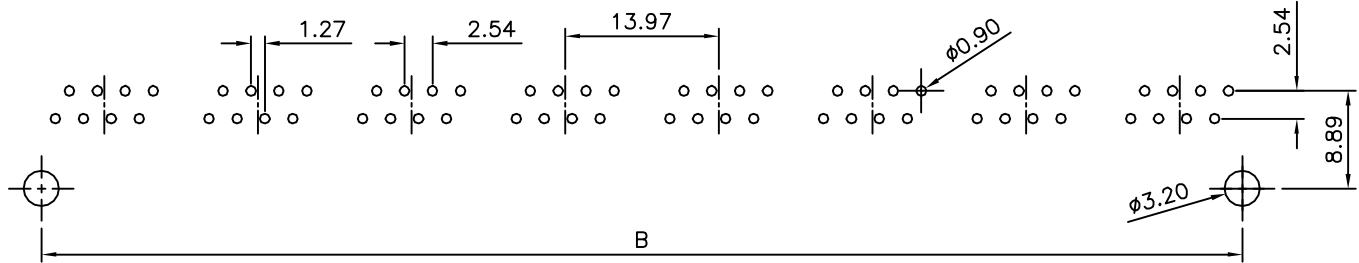
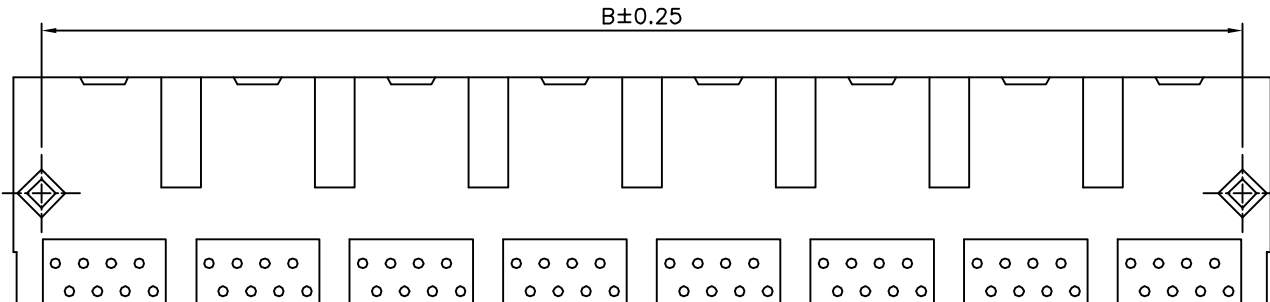
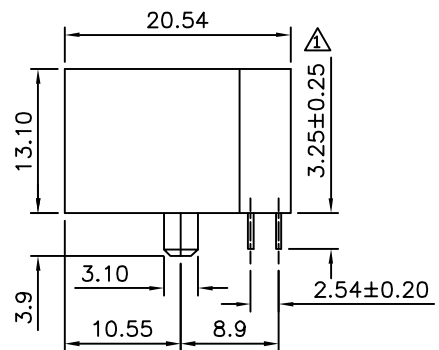
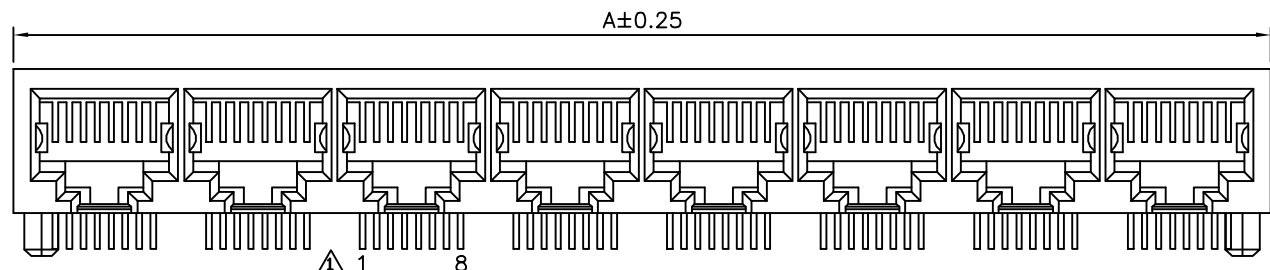


**△ SPECIFICATION**  
 Housing:PBT+G.F.(UL94V-0),Black  
 Contact:Phosphor Bronze  
 Gold Plated 06u" Over Nickel  
 Cavity Confirms To FCC Rules And Regulations  
 Part 68,Subpart F.  
 RoHS Compliant



Recommended P.C.B. Layout



Port	A	B
02	30.48	25.40
03	44.45	39.37
04	58.30	53.34
05	72.39	67.31
06	86.36	81.28
07	100.33	95.25
08	114.30	109.22
09	128.27	123.19
10	142.24	137.16
11	156.21	151.13
12	170.18	165.10

**4UCON** 元化興業股份有限公司  
 4UCON TECHNOLOGY INC.

DRAWING No.		APPROVED BY		UNLESS OTHERWISE SPECIFIED TOLERANCES ARE .X ±0.25 .XX ±0.13 .XXX ±0.05 ANG. ±0.5°
04954		EMILY		
		CHECKED BY HZF		
		DRAWING BY SONG		UNIT mm
SCALE	NONE	REV.	A1	

NO.	REV.	REVISIONS	CHK	DATE
△ A1		Modify Data	HZF	08/25/2011
△ A0		NEW RELEASE	INGRID	09/03/2007